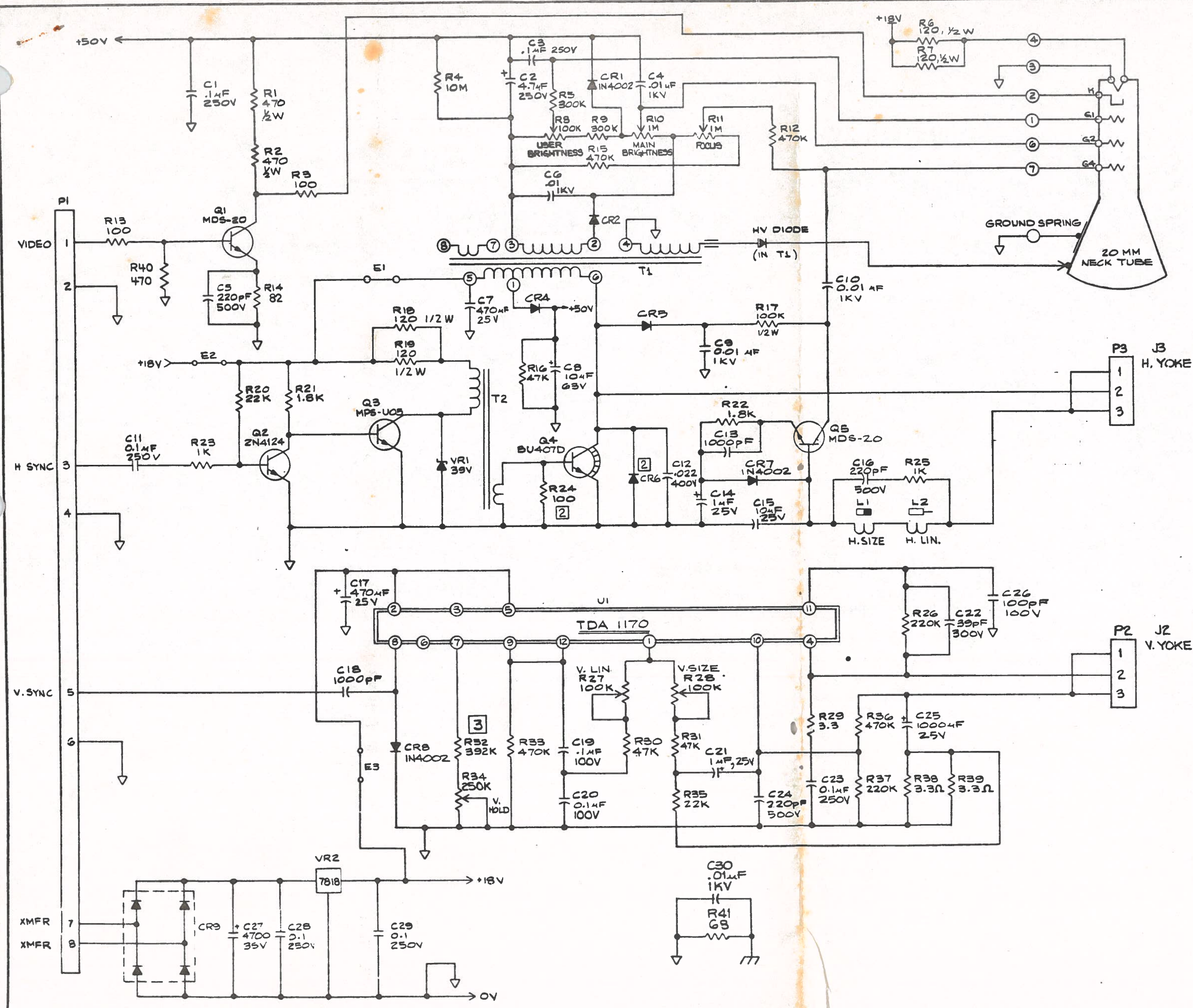


REVISIONS			
LTR	ZONE	DESCRIPTION	DATE
1		ENG RELEASE	
A		PRODUCTION RELEASE	5/1/80 B. Bell
B		REVISED PER ECO # 1624	4/24/80 [Signature]
C		REVISED PER ECO # 1632	4/24/80 [Signature]
D		REV PER ECO 1738	7-11-80 [Signature]
E		REV PER ECO 1752	7/17/80 [Signature]
F		REV PER ECO 1796	8-4-80 [Signature]
G		REV PER ECO 1817	8-4-80 [Signature]



- 3 AS A SUBSTITUTE A 383K OR 402K MAY BE USED FOR R32.
  - 2 ADD R24 & CR6 AS A SUBSTITUTE.
  - 1. ALL RESISTOR VALUES ARE IN OHMS 5%, 1/4W.
- NOTES; UNLESS OTHERWISE SPECIFIED:

-01 SHOWN

UNLESS OTHERWISE SPECIFIED	DRAWN BY: M. AMSS	DATE: 5/1/80
TOLERANCES ON DECIMALS	CHKD: [Signature]	ENGR: [Signature]
J I J II J III J IV	APP: [Signature]	DATE: 5/1/80
MATERIAL	USED ON: PET	NEXT ASSY: 8032033
FINISH:	8016	8032034

commodore  
SCHEMATIC 1  
DIAGRAM - DISPLAY 12"  
SIZE D  
SCALE --- SHEET 1 OF 1

PART NO.	DESCRIPTION
8032033-01	P.C.B ASSY, DISPLAY 12"

REVISIONS				
LTR	ZONE	DESCRIPTION	DATE	APPROVED
I		PRE-RELEASE		
A		PRODUCTION RELEASE	3/17/80	<i>E. K. Robinson</i>
B		REV PER ECO 1598	4-3-80	<i>R. J. Williams</i>
C		REV PER ECO 1608	4-1-80	<i>R. J. Williams</i>
D		REV PER ECO 1619	4-15-80	<i>R. J. Williams</i>
E		REV PER ECO 1631	5-2-80	<i>R. J. Williams</i>
F		REV PER ECO 1633	5-2-80	<i>R. J. Williams</i>
G		REV PER ECO 1643	5-12-80	<i>R. J. Williams</i>
H		REV PER ECO 1685	6-10-80	<i>R. J. Williams</i>
J		REV PER ECO 1737	7-11-80	<i>R. J. Williams</i>
K		REV PER ECO 1755	7-11-80	<i>R. J. Williams</i>
L		REV PER ECO 1793	8-5-80	<i>R. J. Williams</i>
M		REV PER ECO 1825	8-19-80	<i>R. J. Williams</i>

- 4 INSERT EACH END OF ITEM 62 THRU HOLES IN AREA INDICATED AND SOLDER TO GROUND PLANE ON OPPOSITE SIDE OF BOARD.
- 3 IF SUBSTITUTING ITEM 53, 55 OR ITEM 61 FOR ITEM 52, ADD ITEM 4 (R24) AND ITEM 44 (CR6).
- 2 IDENTIFY WITH APPLICABLE DASH NO. LOCATE APPROX. AS SHOWN.

1. SHEET 5 OF 5 SIZE D  
ASSY DWG

NOTES-UNLESS OTHERWISE SPECIFIED:

<b>commodore</b>	TITLE: P.C.B. ASSY, DISPLAY 12"	DRAWN BY: M. AMES	DATE: 3/17/80	ENGR: <i>R. J. Williams</i> 1/5/80	SIZE: B	DRAWING NUMBER: 8032033
		CHKD: <i>M. L.</i>	3/17/80	APPR: <i>R. J. Williams</i> 2/11/80		SHEET 1 OF 5

QUANTITY REQD PER PART / DASH NO.		ITEM	DS	PART NUMBER	DESCRIPTION	REF DES	BEND	NOTES
		1	D	8032035-01	FAB-12" P.C.B DISPLAY ASSY			
		2	D	8032034-01	SCHEM-12" P.C.B DISPLAY ASSY			
		3						
		4	B	901550-49	RESISTOR, 1/4 W ±5% 100 Ω		R24	3
		5	B	901550-97	RESISTOR, 1/4 W ±5% 3.3k Ω	R29, R30, R39		
		6	B	901550-49	RESISTOR, 1/4 W ±5% 100 Ω	R3, R13,		
		7	B	901600-33	RESISTOR, 1/2 W ±5% 470 Ω	R1, R2		
		8	B	901550-01	RESISTOR, 1/4 W ±5% 1k Ω	R23, R25		
		9	B	901550-27	RESISTOR, 1/4 W ±5% 1.8k Ω	R21, R22		
		10	B	901550-12	RESISTOR, 1/4 W ±5% 22 Ω	R20, R21		
		11	B	901550-22	RESISTOR, 1/4 W ±5% 47k Ω	R16, R30, R31		
		12	B	901600-39	RESISTOR, 1/2 W ±5% 100 Ω	R17		
		13	B	901550-21	RESISTOR, 1/4 W ±5% 220 Ω	R26, R27		
		14	B	901751-25	RES, 1/4 W, ±1%, ±100PPM, 392k Ω	R32		FOR SUBSTITUTE USE ITEM 77 OR 78
		15	B	901550-82	RESISTOR, 1/4 W ±5% 470k Ω	R12, R15, R23, R26		
		16	B	901550-09	RESISTOR, 1/4 W ±5% 10M Ω	R4		
		17	B	901550-08	RESISTOR, 1/4 W ±5% 300 Ω	R5, R3		
		18	B	901600-40	RESISTOR, 1/2 W ±5% 120 Ω	R6, R7, R18, R19		
		19	B	901550-74	RESISTOR, 1/4 W ±5% 82 Ω	R14		
		20	B	320176-05	JUMPER WIRE 22 AWG	E1, E2, E3		
		21	B	901550-58	RESISTOR, 1/4 W ±5% 470 Ω	R40		
		22	B	902262-07	POTENTIOMETER 100K	R27, R28		
		23	B	902263-01	POTENTIOMETER 1M Ω	R10, R11		
		24	B	902269-01	POTENTIOMETER 100K	R8		
		25	B	900100-02	CAP 3.3 μF 200V	C2		MAY BE USED AS SUBSTITUTE FOR ITEM 33
		26	B	900050-17	CAP 39 pF, 300V DIPPED MICA	C22		
		27	B	900050-02	CAP 220 pF 500V MICA	C5, C16, C24		
		28	B	900150-10	CAP METALIZED POLYESTER .001 μF, 400V	C13, C18		
		29	B	90010-11	CAP .01 μF GMV 1KV	C4, C6, C9, C10		CENTRALAB. SPACING .375
		30	B	900153-03	CAP METALIZED POLYPROPYLENE .022 μF, 400V	C12		
		31	B	900150-08	CAP 0.1 μF 250V	C13, C11, C13 C28, C29		
		32	B	900100-22	CAP 1.0 μF 25V	C14, C21		
		33	B	900100-47	CAP 4.7 μF 250V	C2		FOR SUBSTITUTE SEE ITEM 25
		34	B	900100-08	CAP ELECTROLYTIC, 10 μF, 63V	C9		
		35	B	900103-01	CAP 10 μF 25V NON POLAR	C15		
		36	B	900100-49	CAP 470 μF 25V	C7, C17		
		37	B	900111-03	CAP ELECTROLYTIC 4700 μF 35V	C27		SEE ITEM 82 FOR SUBSTITUTE

commodore

TITLE: P.C.B. ASSY, DISPLAY 12"

DRWN BY: M. AMES  
CHKD:

DATE

ENGR: J. JAMES  
APPR: JMM

DATE

2/15/80

SIZE

B

8032033

REV

M

SHT

2/5

QUANTITY REQD PER PART / DASH NO.										ITEM	DS	PART NUMBER	DESCRIPTION	REF DES	BEND	NOTES
										1	B	900120-05	CAP 1000UF 25V	C25		
										1	B	900010-44	CAP 100PF 100V	C26		
										40						
										3	B	900750-02	DIODE 1N4002	CR1,CR7,CR8		
										1	B	900770-04	DIODE, DAMPER	CR5		
										1	B	900770-07	DIODE, DAMPER	CR2	SEE ITEM 76 FOR SUBSTITUTE	
										3	B	900770-04	DIODE, DAMPER	CR6	3	
										1	B	900770-02	DIODE, DAMPER	CR4		
										1	B	900948-39	DIODE ZENER 39V	VR1		
										1	B	900755-01	DIODE BRIDGE	CR9		
										49						
										1	B	902689-01	TRANSISTOR 2N4124	Q2		
										1	B	902690-01	TRANSISTOR MMS 105	Q3		
										2	B	902691-01	TRANSISTOR MMS 20	Q1, Q5		
										1	B	902692-01	TRANSISTOR BU407D	Q4		
										3	B	902684-01	TRANSISTOR, SILICON POWER			ITEMS 53, 55 OR 61 MAY BE USED AS SUBSTITUTES Q4 WITH ITEMS 4 & 44 [3]
										1	B	901480-01	IC. TDA 1170	U1		
										3	B	902692-02	TRANSISTOR, SILICON POWER			Q4 WITH ITEMS 4 & 44 [3]
										1	B	901527-04	VOLT. REG. 7818CKC, +18V	VR2	FAIRCHILD	
										1	B	902450-02	TRANSFORMER, HORIZ DR.	T2		
										1	B	902451-01	TRANSFORMER. HORIZ FLYBACK	T1	FOR SUBSTITUTE SEE ITEM 75	
										1	B	901251-01	COIL HORIZ LINEARITY	L2		
										1	B	901250-01	COIL HORIZ SIZE	L1		
										3	B	902692-02	TRANSISTOR BU407	Q4	USE AS SUBSTITUTE FOR ITEM 52 [3]	
										1	B	320938-01	SPRING			
										1	B	903150-02	CONNECTOR - CRT			
										2	B	902901-04	HEAT SINK			
										2	B	906404-07	RIVET - DOME, CLOSED END			ITEMS 66, 67 + 68 MAY BE USED AS SUBSTITUTE
										2	B	906610-02	SCREW, 6-32 x 1/2			
										1	B	905650-04	LOCKWASHER # 6			
										1	B	905957-03	NUT 6-32			
										2	B	906610-02	SCREW, 6-32 x 1/2			
										1	B	903316-02	HEADER, 2 PIN	P1		
										2	B	903316-03	HEADER, 3 PIN	P2, P3		
										2	B	905650-04	WASHER, LOCK # 6			
										1	B	903316-06	HEADER, 6 PIN	P1		
										2	B	905957-03	NUT 6-32			

**commodore**

TITLE: P.C.B. ASSY, DISPLAY 12"

DRWN BY: M. AMES  
CHKD:

DATE

ENGR: *ib J...*  
APPR: *W...*

DATE

SIZE

B 8032033

REV

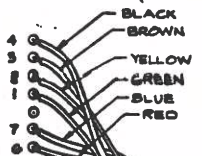
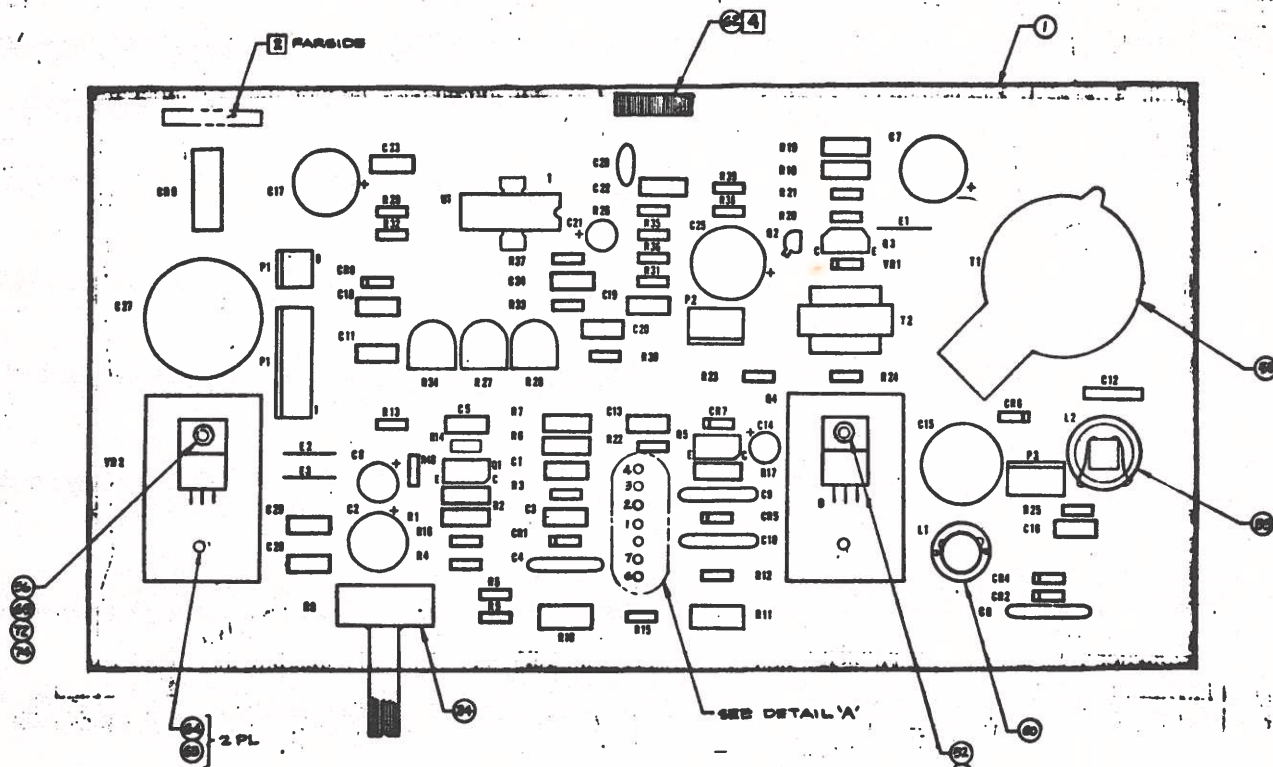
M

SHT

3/5



REVISIONS		
REV	DESCRIPTION	DATE APPROVED
1	SEE SMT	



DETAIL A  
SCALE 1 NONE

-01 SHOWN

DESIGNED BY M. AMES	DATE 7/13/70	COMMODORE
CHECKED BY M. AMES	DATE 7/13/70	
MATERIAL PET	SCALE D	P.C.B. ASSY. DISPLAY 12"
8032	8082007	REV D 8032033
8016		SCALE 2/11 SHEET 5 OF 5