
Commodore
Super-Pet

Technical Manual

Model SP9000



 **commodore**
COMPUTER
www.commodore.ca

REV	DATE	DESCRIPTION	BY
1		INFORMATION RELEASE	
2		REV PER ECO 2272	
3		REV PER ECO 2304	
4		REV PER ECO 2341	
5		REV PER ECO 2341	

- 930303-02 DISKETTE BLANK
- 803205-01 KEY LABELS
- 321609 MANUAL, SYSTEM OVERVIEW
- 321610 MANUAL, MICROFORTRAN
- 321611 MANUAL, MICROPASCAL
- 321612 MANUAL, MICROBASIC
- 321613 MANUAL, MICROAPL
- 321614 MANUAL, 6809 ASSEMBLER

- WARRANTY CARD (IL ONLY)
- USERS GUIDE
- INTERFACE APPLICATION
- EPS END CAPS
- 846, FLAT SHIPPING
- 320044-02 SHIPPING CONTAINER
- 903508 POWER CORD, INTERNATIONAL
- 321607 PERSONAL COMPUTER GUIDE
- 321604 USERS REFERENCE MANUAL, BASIC 4.0

- 9000011 PLATE, RATING, WITH REV
- 324020-01 LABEL, OFF
- 320092-01 LABEL, WARNING
- 8032054-01 LABEL, FUSE RATINGS
- 8032026-01 CRT COVER
- 8030052-01 GROUND STRAP
- 9000010-01 NAMEPLATE, LOW PROFILE

SHIPPING
ASSY
SUPERPET
9000001

320046
320894
321462
8032052
320408
320044-02
903508
321607
321604

MAIN
ASSY
SUPERPET
9000002

BASE
ASSY
SUPERPET
9000003

COVER
ASSY
PET 8032
8032094

DISPLAY
ASSY
PET 8032
8032093-01

TOP COVER,
PLASTIC, CPU 12*

8032023
8032023-01 BEZEL,
CRT FRAME
8032070-01 WELDMENT, DISPLAY
901001-01 CRT, 12"

YORK ASSY
8032050-01

PCB ASSY
COMPU
/ THINK
324042

KEYBOARD
ASSY
DYNAMIC
320292

PCB ASSY
DISPLAY
321449-01

PCB ASSY
UNIVERSAL
DYNAMIC
8032090

HARNESS
ASSY
DISPLAY
320005-02

SWITCH
CLIP-ON ASSY
SELECT 9000
9000024

POWER
SUPPLY ASSY
8032
8032051

9000023-01 CLIP, SWITCH
- 9000002-01 LABEL, SELECT 9000

920902, TRANSFORMER
- 8032043-01 CHASSIS,
POWER

POWER
HARNESS
ASSY
320289-01

PCB ASSY
SELECT
9800
9000020

PCB ASSY
MEMORY
PROTECT
324056

9000023-01 CLIP, SWITCH
- 9000002-01 LABEL, SELECT 9000

920902, TRANSFORMER
- 8032043-01 CHASSIS,
POWER

CABLE ASSY
SELECT
9800
9000020

KEYBOARD
HARNESS
ASSY
320901-01

320284 KEYBOARD

9000023-01 CLIP, SWITCH
- 9000002-01 LABEL, SELECT 9000

920902, TRANSFORMER
- 8032043-01 CHASSIS,
POWER

POWER
HARNESS
ASSY
320289-01

DATE	BY	REV	NO.
11/11/81	J.L.B.	1	1
11/11/81	J.L.B.	2	1
11/11/81	J.L.B.	3	1
11/11/81	J.L.B.	4	1
11/11/81	J.L.B.	5	1

COPY

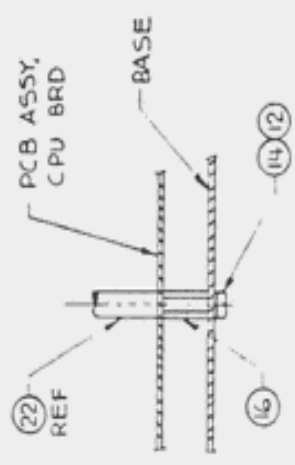
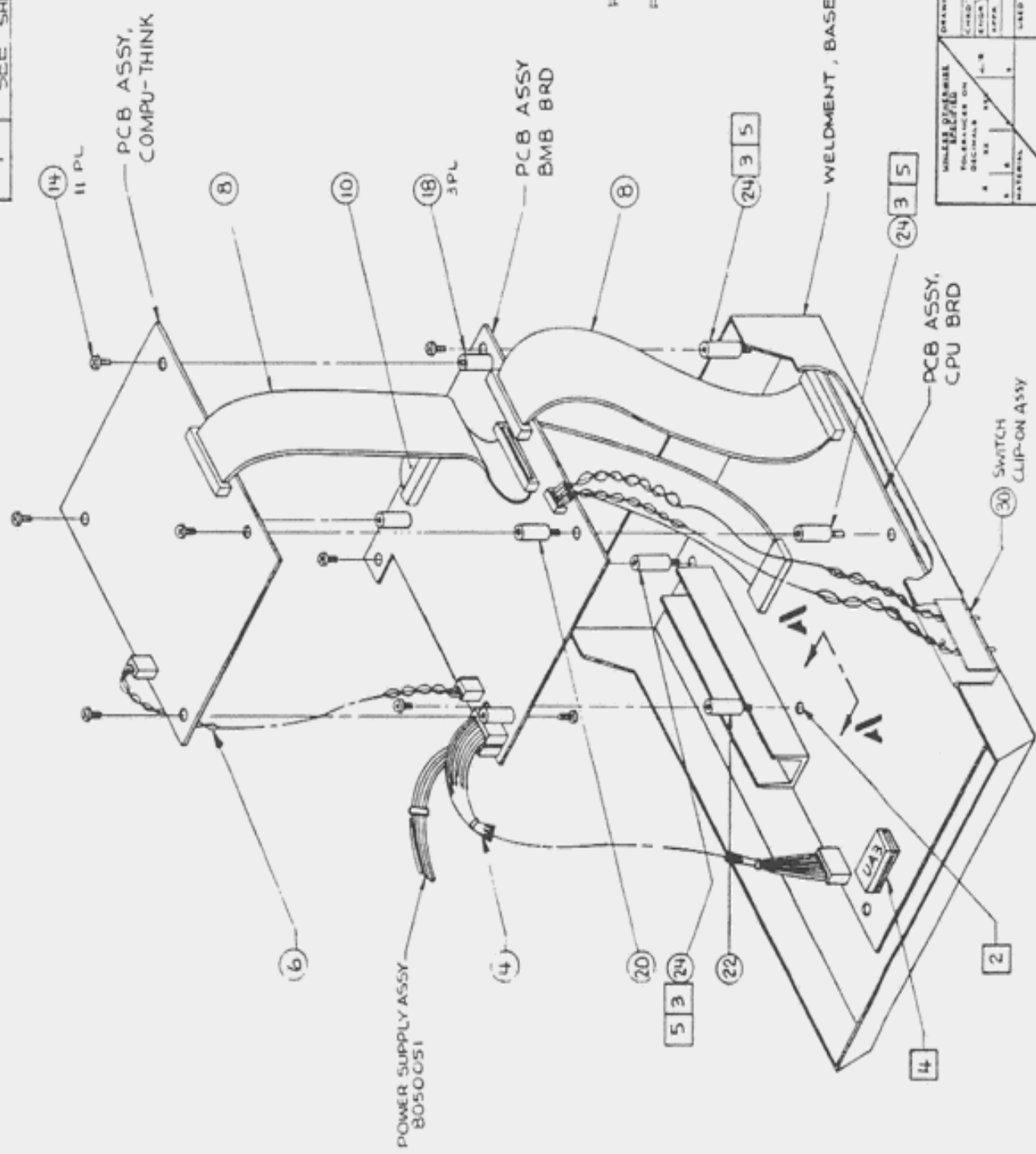
DRAWN

SUPE

900

SCALE NONE

REVISIONS		
LTR	DATE	APPROVE
SEE SHEET 1		



DRAWN BY C. J. J.	CHECKED BY C. J. J.	DATE 11/21/83	NEXT ASSY	commodore	
				HARDWARE ACCESSORY ASSY	
MATERIAL				REV C	324052
FINISH				SCALE NONE	SHEET 3 OF 3

PART NO.	DESCRIPTION
324038-01	PCB ASSY-BMB 60 HZ

REVISIONS			
LTR	ZONE	DESCRIPTION	DATE
A		PRODUCTION RELEASE	8/26/84
A		PER ECO 2263	9/11/81
A		REV PER ECO 2248	9/11/81
B		REV PER ECO 2310 & 2324	11/13/81
C		REV PER ECO 2377	1/24/82
D		REV PER ECO 2458	1/19/82

- 6 ROMS CAN BE REPLACED WITH A PROGRAMED 2516 EPROM.
 - 5 ROMS CAN BE REPLACED WITH A PROGRAMED 2532 EPROMS.
 - 4 REQUIRED WITH REV A ARTWORK C
 - 3 SOLDER JUMPER TO XTAL & PCB
2. IDENTIFY WITH APPLICABLE DASH AND REV LETTER.

1. SHEET 4 OF 4 SIZE C
ASSY DWG

NOTES: UNLESS OTHERWISE SPECIFIC

commodore	TITLE PCB ASSY-BMB		DATE 8-26-84	ENGR [Signature]	SIZE B	DRAWING NUMBER 3240
	DRAWN BY [Signature]	CHKD [Signature]	DATE 8-26-84	APPR [Signature]	SIZE B	SHEET 1

ITEM	QTY	DS	PART NUMBER	DESCRIPTION	REF DES	BEND	NOTES
275			907401-02	WASHER, SHOULDER # 4			
276	B		906610-03	SCREW, PHILPS 6-32X.375			
277	B		905970-04	KEP-NUT #6-32			
78							
79			320086-02	BUSS, WIRE			SEE NOTE 4
80			903780-11	KYNAR WIRE 30 AWG			SEE NOTE 4
81							
82			904907-01	THERMAL COMPOUND			
83							
84							
85							
86							
187	B		901898-01	I.C. ROM 2332	U17		SEE NOTE 5
188	B		-02		U18		
189	B		-03		U19		
190	B		-04		U20		
191	B		901898-05	I.C. ROM 2332	U22		SEE NOTE 5
192	B		901897-01	I.C. ROM 2316	U21		SEE NOTE 6
93							
94							
95							
96							
97							
98							
99							
100							

commodore	TITLE: PCB ASSY - BMB	DRAWN BY: <u>ASB</u>	DATE: <u>10-13-87</u>	ENGR: _____	DATE: _____	SIZE: <u>B</u>	REV: <u>D</u>
		CHKD: _____		APPR: _____			324038

QUANTITY RECD PER PART / DASH NO.	QTY	SS	PART NUMBER	DESCRIPTION	REF DES	BEND	NOTES
	3	B	901527-02	VOLTAGE REGULATOR, +5	VR1,2,3		
	1	B	902727-01	TRANSISTOR, PNP, TIP 30	Q2		
	2	B	902847-03	TRANSISTOR, NPN, 2N2222	Q1,3		
	4	B	900753-01	DIODE, IN5402	CR1,2,3,4		
	42						
	43						
	44						
	1	B	903316-03	HEADER ASSY, .156 CENTERS	J6		3 PIN
	1	B	903331-07	HEADER ASSY, .100 CENTERS	J4		7 PIN, REMOVE PIN 2
	2	B	903316-09	HEADER ASSY, .156 CENTERS	J5A, J5B		9 PIN, REMOVE PIN 7
	1	B	903345-20	HEADER ASSY, DUAL ROW, .100 CENTERS	J8		40 PIN
	2	B	903345-25	HEADER ASSY, DUAL ROW, .100 CENTERS	J12		50 PIN
	1	B	903266-01	CONNECTOR, RIGHT ANGLE,	J3		RS-232
	1	B	903335-05	HEADER	J9		
	52						
	53						
	54						
	1	B	900555-02	CRYSTAL, 1.84 320 MHZ	Y1		
	2	B	902910-01	HEATSINK, TO-220	XVR1,2		
	57						
	58						
	59						
	8	B	904150-01	IC SOCKET, 14 PIN	XU5,6,8,13,15,16,24,25		
	6	B	904150-02	16 PIN	XU1,2,7,11,12,14		
	2	B	904149-04	20 PIN	XU9,10		
	6	B	904150-04	24 PIN	XU17-22		
	1	B	904150-05	28 PIN	XU23		
	2	B	904150-06	IC SOCKET, 40 PIN	XU3,4		
	66						
	67						
	68						
	69						
	70						
	71						
	72						
	73						
	2	B	906403-19	RIVET, OPEN			

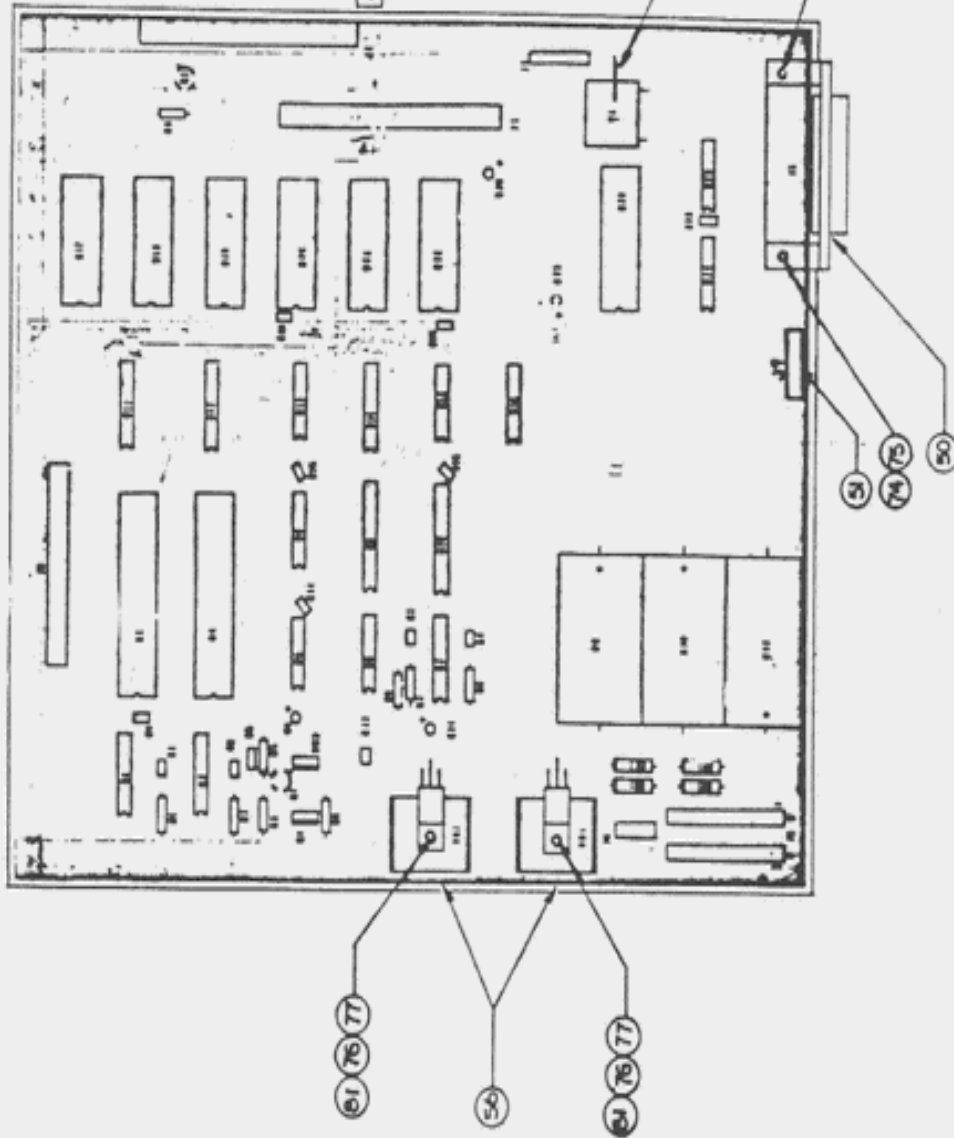
commodore TITLE: PCB ASSY-BMB
 DRAWN BY: [Signature] CHKD: [Signature] DATE: 8-20-81
 ENGR: [Signature] APPROV: [Signature] DATE: 9-24-81 SIZE: B
 324038 REV: D

QUANTITY REQD PER PART / DASH NO.	ITEM NO	PART NUMBER	DESCRIPTION	REF DES	BEND	NOTES
	01					
	2 75	907401-02	WASHER, SHOULDER # 4			
	2 76	906610-03	SCREW, PHILPS 6-32 X .375			
	2 77	905970-04	KEP-NUT #6-32			
	78					
	1 79	320086-02	BUSS, WIRE			SEE NOTE 4
	1 80	903780-11	KYNAR WIRE 30 AWG			SEE NOTE 4
	81					
	Mr 82	904907-01	THERMAL COMPOUND			
	83					
	84					
	85					
	86					
	1 87	901898-01	I.C. ROM 2332	U17		SEE NOTE 5
	1 88	-02		U18		
	1 89	-03		U19		
	1 90	-04		U20		
	1 91	901898-05	I.C. ROM 2332	U22		SEE NOTE 5
	1 92	901897-01	I.C. ROM 2316	U21		SEE NOTE 6
	- 93					
	94					
	95					
	96					
	97					
	98					
	99					
	100					

commodore		TITLE: PCB ASSY - BMB		ENGR:	DATE: 10-13-87	SIZE: B	REV: D
		DRWN BY: [Signature]	CHKD:	APPR:			324038

REVISIONS

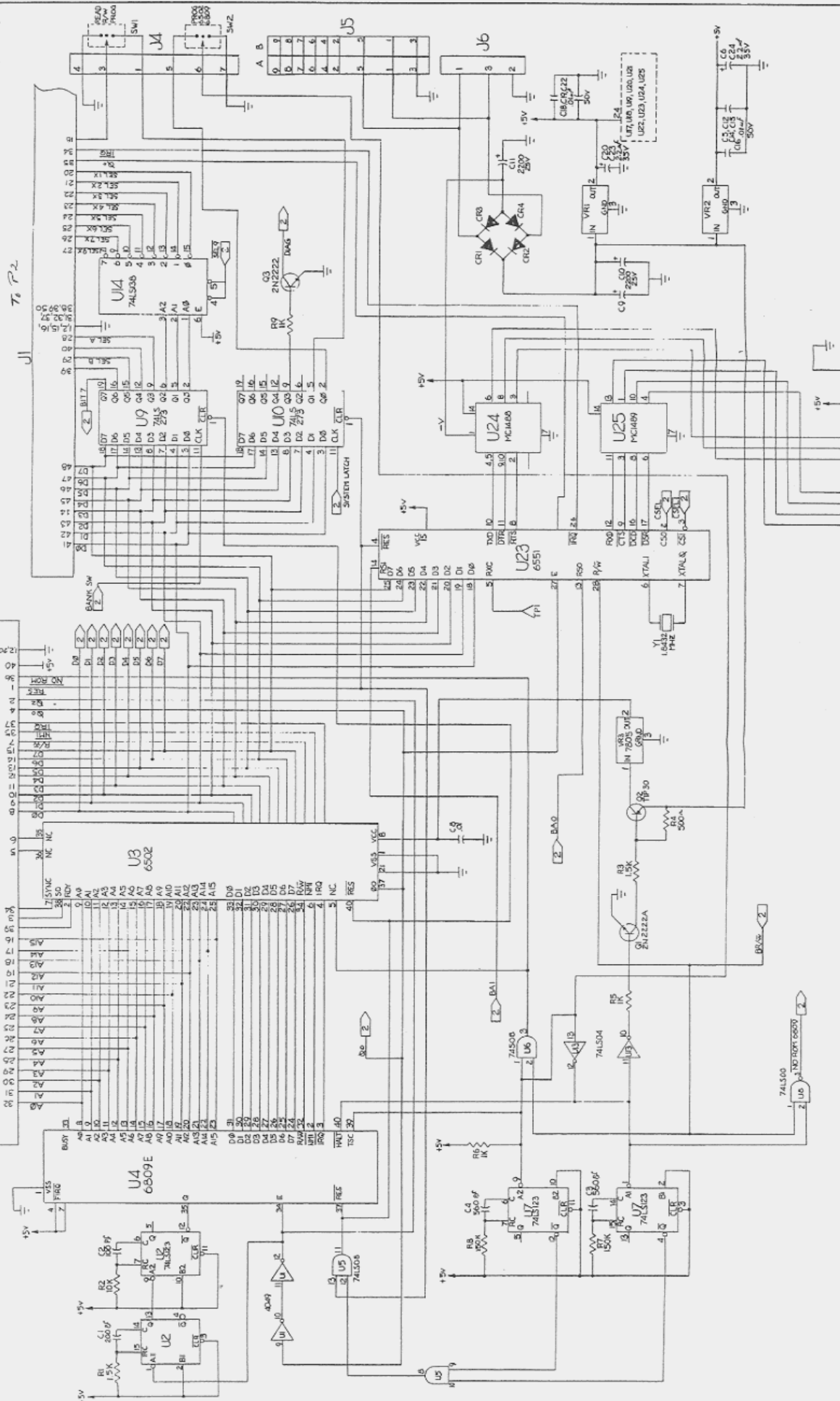
LTN	DATE	DESCRIPTION	DATE	APPROV
		SEE SHEET		



4] REWORK INSTRUCTIONS:
ON CIRCUIT SIDE OF BOARD, ADD JUMPER FROM J1-30 TO
U11-9.

DATE: 12-14-81		DRAWN BY: J. J. [Signature]	
CHECKED BY: [Signature]		DESIGNED BY: [Signature]	
USED ON: 9000002		SHEET NO: 2 OF 5	
S.P: 9000		SCALE: 1/1	
MATERIAL:		PRICE:	
COMMODORE		PCB ASSEMBLY	
BMB BOARD		SIZE: C	
32403B		REV: D	
SCALE: 1/1		SHEET: 2 OF 5	

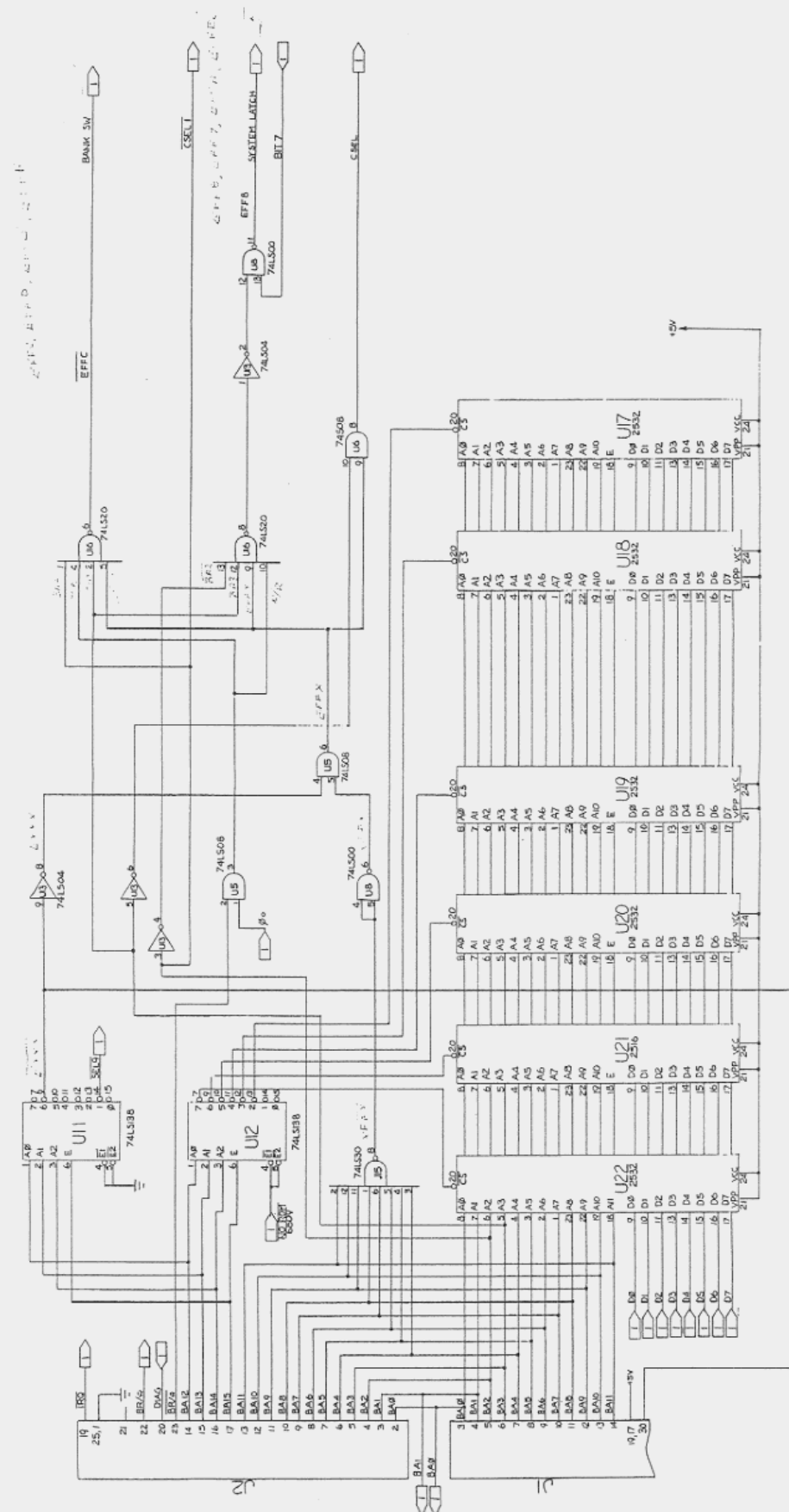
REVISES	DATE	APPROVED
A		
DESCRIPTION		
LTP NONE		
PER ECD 2309		
RELEASE		
DATE 7/16/81		
BY J. J. G.		



UNLESS OTHERWISE SPECIFIED		DESIGN #	DATE
ALL DIMENSIONS IN INCHES	1/16" = 1.5625mm	32403B	7/10/81
1/32" = 0.762mm	1/64" = 0.375mm	REV	BY
1/128" = 0.1875mm	1/256" = 0.09375mm	D	A
1/512" = 0.046875mm	1/1024" = 0.0234375mm	32403B	
1/2048" = 0.01171875mm	1/4096" = 0.005859375mm	BMB BOARD	
1/8192" = 0.0029296875mm	1/16384" = 0.00146484375mm	SCALE NONE	SHEET 1 OF 2

commodore
PCB SCHEMATIC
BMB BOARD
REV D 32403B
SCALE NONE SHEET 1 OF 2
www.commodore.ca

REV	DATE	DESCRIPTION	APPROVED
1		SEE SHEET 1	



DATE	REV	DESCRIPTION
11/11/88	1	INITIAL DESIGN
12/11/88	2	REVISIONS
01/11/89	3	REVISIONS
02/11/89	4	REVISIONS
03/11/89	5	REVISIONS
04/11/89	6	REVISIONS
05/11/89	7	REVISIONS
06/11/89	8	REVISIONS
07/11/89	9	REVISIONS
08/11/89	10	REVISIONS
09/11/89	11	REVISIONS
10/11/89	12	REVISIONS
11/11/89	13	REVISIONS
12/11/89	14	REVISIONS
01/11/90	15	REVISIONS
02/11/90	16	REVISIONS
03/11/90	17	REVISIONS
04/11/90	18	REVISIONS
05/11/90	19	REVISIONS
06/11/90	20	REVISIONS
07/11/90	21	REVISIONS
08/11/90	22	REVISIONS
09/11/90	23	REVISIONS
10/11/90	24	REVISIONS
11/11/90	25	REVISIONS
12/11/90	26	REVISIONS
01/11/91	27	REVISIONS
02/11/91	28	REVISIONS
03/11/91	29	REVISIONS
04/11/91	30	REVISIONS
05/11/91	31	REVISIONS
06/11/91	32	REVISIONS
07/11/91	33	REVISIONS
08/11/91	34	REVISIONS
09/11/91	35	REVISIONS
10/11/91	36	REVISIONS
11/11/91	37	REVISIONS
12/11/91	38	REVISIONS
01/11/92	39	REVISIONS
02/11/92	40	REVISIONS
03/11/92	41	REVISIONS
04/11/92	42	REVISIONS
05/11/92	43	REVISIONS
06/11/92	44	REVISIONS
07/11/92	45	REVISIONS
08/11/92	46	REVISIONS
09/11/92	47	REVISIONS
10/11/92	48	REVISIONS
11/11/92	49	REVISIONS
12/11/92	50	REVISIONS
01/11/93	51	REVISIONS
02/11/93	52	REVISIONS
03/11/93	53	REVISIONS
04/11/93	54	REVISIONS
05/11/93	55	REVISIONS
06/11/93	56	REVISIONS
07/11/93	57	REVISIONS
08/11/93	58	REVISIONS
09/11/93	59	REVISIONS
10/11/93	60	REVISIONS
11/11/93	61	REVISIONS
12/11/93	62	REVISIONS
01/11/94	63	REVISIONS
02/11/94	64	REVISIONS
03/11/94	65	REVISIONS
04/11/94	66	REVISIONS
05/11/94	67	REVISIONS
06/11/94	68	REVISIONS
07/11/94	69	REVISIONS
08/11/94	70	REVISIONS
09/11/94	71	REVISIONS
10/11/94	72	REVISIONS
11/11/94	73	REVISIONS
12/11/94	74	REVISIONS
01/11/95	75	REVISIONS
02/11/95	76	REVISIONS
03/11/95	77	REVISIONS
04/11/95	78	REVISIONS
05/11/95	79	REVISIONS
06/11/95	80	REVISIONS
07/11/95	81	REVISIONS
08/11/95	82	REVISIONS
09/11/95	83	REVISIONS
10/11/95	84	REVISIONS
11/11/95	85	REVISIONS
12/11/95	86	REVISIONS
01/11/96	87	REVISIONS
02/11/96	88	REVISIONS
03/11/96	89	REVISIONS
04/11/96	90	REVISIONS
05/11/96	91	REVISIONS
06/11/96	92	REVISIONS
07/11/96	93	REVISIONS
08/11/96	94	REVISIONS
09/11/96	95	REVISIONS
10/11/96	96	REVISIONS
11/11/96	97	REVISIONS
12/11/96	98	REVISIONS
01/11/97	99	REVISIONS
02/11/97	100	REVISIONS

commodore
PCB SCHEMATIC
BMB BOARD
 SIZE D 324037 REV A
 SCALE NONE SHEET 2 OF 2

USED ON BMB BOARD
 NEXT REV 324038

DATE: 11/11/88
 REV: 1
 DESCRIPTION: INITIAL DESIGN

DATE: 12/11/88
 REV: 2
 DESCRIPTION: REVISIONS

DATE: 01/11/89
 REV: 3
 DESCRIPTION: REVISIONS

DATE: 02/11/89
 REV: 4
 DESCRIPTION: REVISIONS

DATE: 03/11/89
 REV: 5
 DESCRIPTION: REVISIONS

DATE: 04/11/89
 REV: 6
 DESCRIPTION: REVISIONS

DATE: 05/11/89
 REV: 7
 DESCRIPTION: REVISIONS

DATE: 06/11/89
 REV: 8
 DESCRIPTION: REVISIONS

DATE: 07/11/89
 REV: 9
 DESCRIPTION: REVISIONS

DATE: 08/11/89
 REV: 10
 DESCRIPTION: REVISIONS

DATE: 09/11/89
 REV: 11
 DESCRIPTION: REVISIONS

DATE: 10/11/89
 REV: 12
 DESCRIPTION: REVISIONS

DATE: 11/11/89
 REV: 13
 DESCRIPTION: REVISIONS

DATE: 12/11/89
 REV: 14
 DESCRIPTION: REVISIONS

DATE: 01/11/90
 REV: 15
 DESCRIPTION: REVISIONS

DATE: 02/11/90
 REV: 16
 DESCRIPTION: REVISIONS

DATE: 03/11/90
 REV: 17
 DESCRIPTION: REVISIONS

DATE: 04/11/90
 REV: 18
 DESCRIPTION: REVISIONS

DATE: 05/11/90
 REV: 19
 DESCRIPTION: REVISIONS

DATE: 06/11/90
 REV: 20
 DESCRIPTION: REVISIONS

DATE: 07/11/90
 REV: 21
 DESCRIPTION: REVISIONS

DATE: 08/11/90
 REV: 22
 DESCRIPTION: REVISIONS

DATE: 09/11/90
 REV: 23
 DESCRIPTION: REVISIONS

DATE: 10/11/90
 REV: 24
 DESCRIPTION: REVISIONS

DATE: 11/11/90
 REV: 25
 DESCRIPTION: REVISIONS

DATE: 12/11/90
 REV: 26
 DESCRIPTION: REVISIONS

DATE: 01/11/91
 REV: 27
 DESCRIPTION: REVISIONS

DATE: 02/11/91
 REV: 28
 DESCRIPTION: REVISIONS

DATE: 03/11/91
 REV: 29
 DESCRIPTION: REVISIONS

DATE: 04/11/91
 REV: 30
 DESCRIPTION: REVISIONS

DATE: 05/11/91
 REV: 31
 DESCRIPTION: REVISIONS

DATE: 06/11/91
 REV: 32
 DESCRIPTION: REVISIONS

DATE: 07/11/91
 REV: 33
 DESCRIPTION: REVISIONS

DATE: 08/11/91
 REV: 34
 DESCRIPTION: REVISIONS

DATE: 09/11/91
 REV: 35
 DESCRIPTION: REVISIONS

DATE: 10/11/91
 REV: 36
 DESCRIPTION: REVISIONS

DATE: 11/11/91
 REV: 37
 DESCRIPTION: REVISIONS

DATE: 12/11/91
 REV: 38
 DESCRIPTION: REVISIONS

DATE: 01/11/92
 REV: 39
 DESCRIPTION: REVISIONS

DATE: 02/11/92
 REV: 40
 DESCRIPTION: REVISIONS

DATE: 03/11/92
 REV: 41
 DESCRIPTION: REVISIONS

DATE: 04/11/92
 REV: 42
 DESCRIPTION: REVISIONS

DATE: 05/11/92
 REV: 43
 DESCRIPTION: REVISIONS

DATE: 06/11/92
 REV: 44
 DESCRIPTION: REVISIONS

DATE: 07/11/92
 REV: 45
 DESCRIPTION: REVISIONS

DATE: 08/11/92
 REV: 46
 DESCRIPTION: REVISIONS

DATE: 09/11/92
 REV: 47
 DESCRIPTION: REVISIONS

DATE: 10/11/92
 REV: 48
 DESCRIPTION: REVISIONS

DATE: 11/11/92
 REV: 49
 DESCRIPTION: REVISIONS

DATE: 12/11/92
 REV: 50
 DESCRIPTION: REVISIONS

DATE: 01/11/93
 REV: 51
 DESCRIPTION: REVISIONS

DATE: 02/11/93
 REV: 52
 DESCRIPTION: REVISIONS

DATE: 03/11/93
 REV: 53
 DESCRIPTION: REVISIONS

DATE: 04/11/93
 REV: 54
 DESCRIPTION: REVISIONS

DATE: 05/11/93
 REV: 55
 DESCRIPTION: REVISIONS

DATE: 06/11/93
 REV: 56
 DESCRIPTION: REVISIONS

DATE: 07/11/93
 REV: 57
 DESCRIPTION: REVISIONS

DATE: 08/11/93
 REV: 58
 DESCRIPTION: REVISIONS

DATE: 09/11/93
 REV: 59
 DESCRIPTION: REVISIONS

DATE: 10/11/93
 REV: 60
 DESCRIPTION: REVISIONS

DATE: 11/11/93
 REV: 61
 DESCRIPTION: REVISIONS

DATE: 12/11/93
 REV: 62
 DESCRIPTION: REVISIONS

DATE: 01/11/94
 REV: 63
 DESCRIPTION: REVISIONS

DATE: 02/11/94
 REV: 64
 DESCRIPTION: REVISIONS

DATE: 03/11/94
 REV: 65
 DESCRIPTION: REVISIONS

DATE: 04/11/94
 REV: 66
 DESCRIPTION: REVISIONS

DATE: 05/11/94
 REV: 67
 DESCRIPTION: REVISIONS

DATE: 06/11/94
 REV: 68
 DESCRIPTION: REVISIONS

DATE: 07/11/94
 REV: 69
 DESCRIPTION: REVISIONS

DATE: 08/11/94
 REV: 70
 DESCRIPTION: REVISIONS

DATE: 09/11/94
 REV: 71
 DESCRIPTION: REVISIONS

DATE: 10/11/94
 REV: 72
 DESCRIPTION: REVISIONS

DATE: 11/11/94
 REV: 73
 DESCRIPTION: REVISIONS

DATE: 12/11/94
 REV: 74
 DESCRIPTION: REVISIONS

DATE: 01/11/95
 REV: 75
 DESCRIPTION: REVISIONS

DATE: 02/11/95
 REV: 76
 DESCRIPTION: REVISIONS

DATE: 03/11/95
 REV: 77
 DESCRIPTION: REVISIONS

DATE: 04/11/95
 REV: 78
 DESCRIPTION: REVISIONS

DATE: 05/11/95
 REV: 79
 DESCRIPTION: REVISIONS

DATE: 06/11/95
 REV: 80
 DESCRIPTION: REVISIONS

DATE: 07/11/95
 REV: 81
 DESCRIPTION: REVISIONS

DATE: 08/11/95
 REV: 82
 DESCRIPTION: REVISIONS

DATE: 09/11/95
 REV: 83
 DESCRIPTION: REVISIONS

DATE: 10/11/95
 REV: 84
 DESCRIPTION: REVISIONS

DATE: 11/11/95
 REV: 85
 DESCRIPTION: REVISIONS

DATE: 12/11/95
 REV: 86
 DESCRIPTION: REVISIONS

DATE: 01/11/96
 REV: 87
 DESCRIPTION: REVISIONS

DATE: 02/11/96
 REV: 88
 DESCRIPTION: REVISIONS

DATE: 03/11/96
 REV: 89
 DESCRIPTION: REVISIONS

DATE: 04/11/96
 REV: 90
 DESCRIPTION: REVISIONS

DATE: 05/11/96
 REV: 91
 DESCRIPTION: REVISIONS

DATE: 06/11/96
 REV: 92
 DESCRIPTION: REVISIONS

DATE: 07/11/96
 REV: 93
 DESCRIPTION: REVISIONS

DATE: 08/11/96
 REV: 94
 DESCRIPTION: REVISIONS

DATE: 09/11/96
 REV: 95
 DESCRIPTION: REVISIONS

DATE: 10/11/96
 REV: 96
 DESCRIPTION: REVISIONS

DATE: 11/11/96
 REV: 97
 DESCRIPTION: REVISIONS

DATE: 12/11/96
 REV: 98
 DESCRIPTION: REVISIONS

DATE: 01/11/97
 REV: 99
 DESCRIPTION: REVISIONS

DATE: 02/11/97
 REV: 100
 DESCRIPTION: REVISIONS

PART NO.	DESCRIPTION	REVISIONS		
		LTR ZONE	DESCRIPTION	DATE APPROVED
324042-01	PCB ASSY, COMPU-THINK	A	PRODUCTION RELEASE	8/4/81 <i>ADD: C</i>
		A	REV PER ECO 2247	9/1/81 <i>ADD: C</i>
		B	PER ECO 2323	9/2/81 <i>ADD: C</i>
		C	REV PER ECO 237B	10/1/81 <i>ADD: C</i>

- 4 REQUIRED WITH REV A ARTWORK ONLY.
- 3 ITEM 69 CONNECTS INTO ITEM 63.

2. IDENTIFY WITH COMMODORE PART NO. AND APPLICABLE REV LETTER.

1. SHEET 4 OF 4 SIZE D
ASSY DWG

NOTES- UNLESS OTHERWISE SPECIFIED:

commodore	TITLE: PCB ASSY, COMPU-THINK			DATE: 8-6-81	ENGR: <i>ADD: C</i>	SIZE: B	DRAWING NUMBER: 324042
				DATE: 8-24-81	APPR: <i>ADD: C</i>	SIZE: B	SHEET: 4 OF 5

QUANTITY RECD PER PART / DASH NO.

QTY	REF	PART NUMBER	DESCRIPTION	REF DES	DENO	NOTES
1	D	324041-01	SCHEMATIC, COMPU-THINK			
1	D	324040-01	PCB FAIB, Compu-THINK			
3						
1	B	901522-04	IC, 7400, QUAD NAND	U9, 17		
2	B	901521-21	IC, 74LS02, QUAD NOR	U18, 22		
1	B	901521-37	IC, 74LS05, HEX INVERTER	U25		
1	B	901521-03	IC, 74LS08, QUAD AND	U27		
3	B	901521-24	IC, 74LS10, TRIPLE 3-INPUT NAND	U10, 16, 23		
1	B	901521-04	IC, 74LS20, DUAL 4-INPUT NAND	U11		
1	B	901521-08	IC, 74LS107, J-K FLIP-FLOP	U21		
1	B	901521-49	IC, 74LS123, DUAL ONE-SHOT	U26		
1	B	901521-50	IC, 74LS132, QUAD NAND w/SCHMITT	U20		
2	B	901521-11	IC, 74LS157, QUAD 2-1 MULTIPLEXER	U2, 5		
2	B	901522-23	IC, 74LS157, QUAD 2-1 MULTIPLEXER	U1, 4		
4	B	901521-51	IC, 74LS241, OCTAL BUFFER	U6, 8, 12, 14		
1	B	901521-13	IC, 74LS244, OCTAL BUFFER	U13		
1	B	901521-52	IC, 74LS293, 4 BIT BINARY COUNTER	U7		
1	B	901521-45	IC, 74LS393, DUAL 4 BIT BINARY COUNTER	U3		
32	B	901470-07	IC, 4116, DYNAMIC RAM	U29-60		
20						
21						
1	B	901527-03	VOLTAGE REGULATOR, -5 VOLT	U61		
1	B	901527-01	VOLTAGE REGULATOR, +12 VOLT	U19		
1	B	901527-02	VOLTAGE REGULATOR, +5 VOLT	U24		
1	B	900752-02	DIODE, FAST RECTIFIER	CR3		
2	B	900653-01	DIODE, BRIDGE	CR1, 2		
27						
1	B	900050-18	CAP, DIPPED MICA, 22pf, 500V	C79		
1	B	-19	50pf.	C81		
1	B	-20	62pf	C76		
1	B	-21	82pf	C78		
1	B	-22	100pf	C80		
1	B	900050-23	CAP, DIPPED MICA, 180pf, 500V	C77		
63	B	900020-01	CAP, MONO, CERAMIC, 1μf, 50V	C1-63		
6	B	900402-15	CAP, DIPPED TANT, 10μf, 25V	C65, 67, 73, 74, 75, 82		
3	B	900100-44	CAP, ELECT, RADIAL, 470μf, 16V	C68, 69, 72		
1	B	900100-49	CAP, ELECT, RADIAL, 470μf, 25V	C66		
1	B	900100-49	CAP, ELECT, RADIAL, 470μf, 25V	C66		

commodore

TITLE: PCB ASSY, COMPU/THINK

DRAWN BY: [Signature]

CHKD BY: [Signature]

DATE: [Blank]

SIZE: B

REV: C

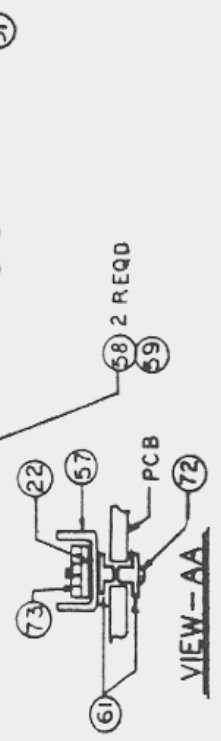
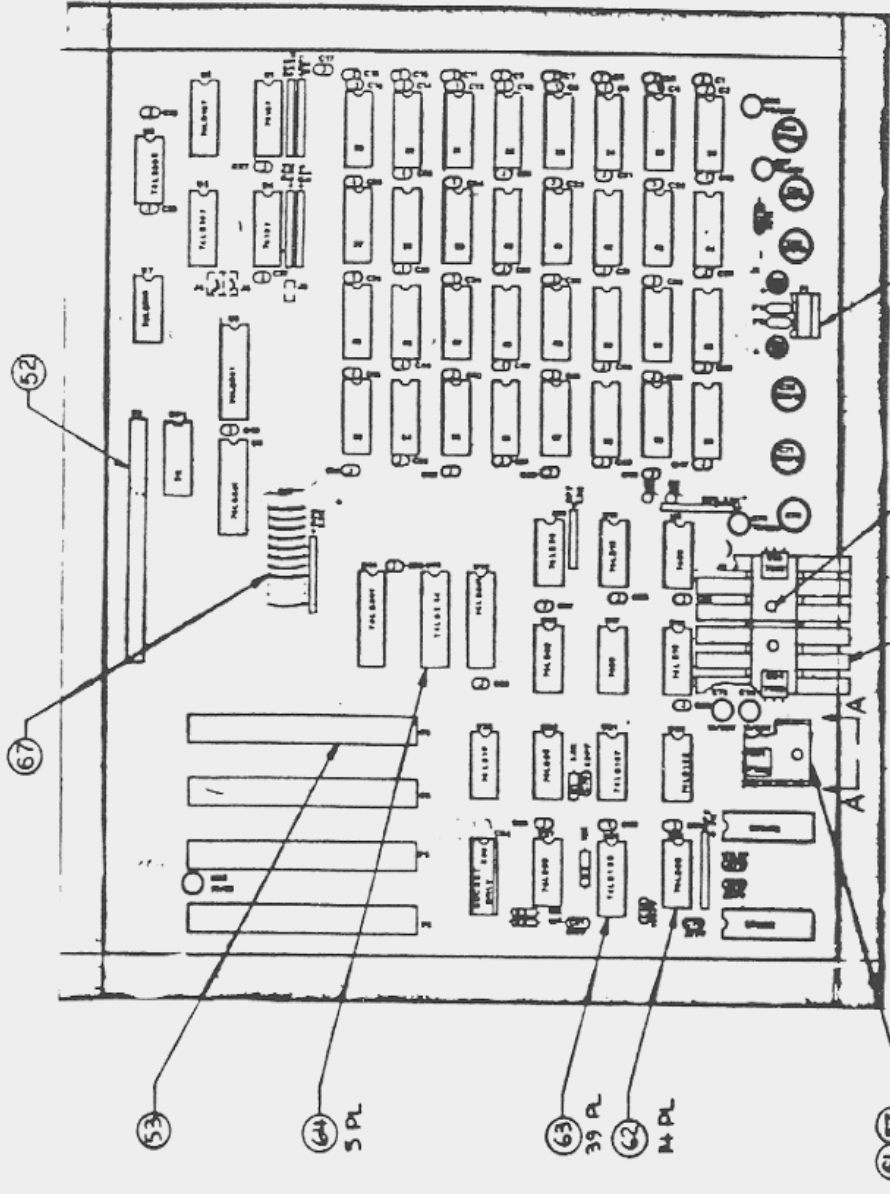
SHT: 2/5

QUANTITY REQD PER PART / DASH NO.	QTY	PART NUMBER	DESCRIPTION	REF DES	REMARKS	NOTES
	38	900100-07	CAP, ELECT, RADIAL, 1000UF, 16V	C70, 71		
	39					
	40					
	41	902422-03	RESISTOR, NETWORK, 8 PIN SIP, 33Ω	RP1, 3		
	42	902442-26	8 PIN SIP, 2K	RP9		
	43	902441-29	6 PIN SIP, 3.3K	RP7		
	44	902442-29	8 PIN SIP, 3.3K	RP2, 4, 6, 8		
	45	902420-48	RESISTOR, NETWORK, 16 PIN DIP, 2K	RP5		
	46	901550-105	RESISTOR, CARBON, 1/4W, 5%, 33Ω	R5, 6		
	47	901550-02	RESISTOR, CARBON, 1/4W, 5%, 3.3K	R1		
	48	901550-20	RESISTOR, CARBON, 1/4W, 5%, 10K	R2, 3, 4		
	49					
	50					
	51	903316-03	HEADER ASSY, 156 CENTERS	PI	3 PIN	
	52	903345-25	HEADER ASSY, DUAL ROW, 100 CENTER	P2	50 PIN	
	53	903446-01	CONNECTOR HOUSING, 50 PIN	P3		
	54					
	55	903549-12	FUSE, AXIAL LEAD	3A	F1, 2	
	56					
	57	902905-01	HEATSINK, TO-220	XU61		
	58	902911-01	HEATSINK	XU19, 24		
	59	902912-01	HEATSINK	XU19, 24		
	60					
	61	907401-02	WASHER, SHOULDER	#4	XU61	
	62	904150-01	IC SOCKET	14 PIN	XU3, 7, 9, 11, 16-18, 20-23, 25, 27	
	63	904150-02	IC SOCKET	16 PIN	XU1, 2, 4, 5, 26, 29-36, 37-44, 45-52, 53-60, 64, XRP5	
	64	904149-04	IC SOCKET	20 PIN	XU6, 8, 12-14	
	65					
	66					
	67	320086-02	BUS WIRE		J1, 2, 4, 5, U5	
	68					
	69	324056-01	PCB ASSY, MEMORY PROTECT			SEE NOTE 3
	70					
	71					
	72	906600-06	SCREW PHILLIPS, 4-40 x .438			
	73	905970-05	KEP NUT 4-40			
	74					

commodore TITLE: PBC ASSY, COMPU/THINK
 DRAWN BY: [Signature] DATE: 8-6-81
 CHECKED: [Signature] DATE: 8-2-81
 ENGR: [Signature] DATE: 8-2-81
 APPR: [Signature] DATE: 8-2-81
 SIZE: B
 REV: C
 SHT: 5/5
 324042

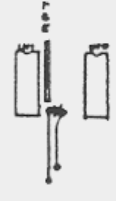
REVISIONS		
LTR	ZONE	DESCRIPTION
		DATE APPROVED

SEE SHEET



4 REWORK INSTRUCTIONS:

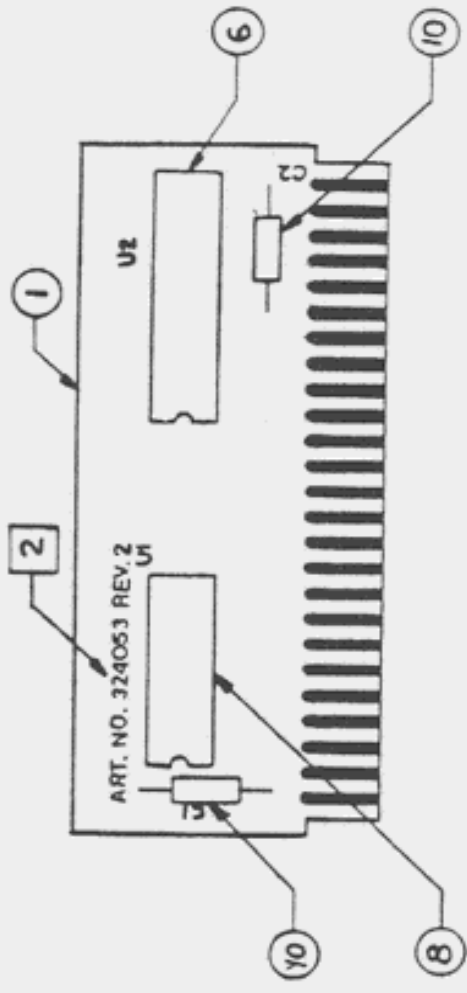
1. ADD JUMPER FROM UI5-12 TO GROUND.
2. ADD JUMPER FROM P2-28 TO COMMON POINT OF J3 AND J5.
3. ADD JUMPER FROM P2-30 TO P3-14
4. CUT OFF PINS 4 & 5 OF U27.
5. CUT TRACE BETWEEN FEEDTHRU NEXT TO UI1 AND RP7.
6. ADD JUMPERS TO J1, J2, J4, J5 & UI5 AS SHOWN.



REWORK INSTRUCTION 5

DRAWN BY: 7/01/72		DATE: 8-4-81	
CHECKED BY: A. J. WILSON		DATE: 8-11-81	
APPROVED BY: A. J. WILSON		DATE: 8-28-81	
DESIGN NO: 324042		REV: C	
SCALE: 1/1		SHEET: 5 OF 5	
-01 SHOWN			
COMMODORE			
PCB ASSY			
COMPU/THINK			
USED ON: SUPER 324050		PART: C	
MATERIAL: PBT		PROB: 5	
TOLERANCES: DIM: 0.005		DIMS: 0.010	
DIMS: 0.010		DIMS: 0.010	
MATERIAL: PBT		PROB: 5	

PART NO.		DESCRIPTION		REVISIONS	
324056-01		PCB ASSY, MEMORY PROTECT		LTR	ZONE
				A	
				B	
				DESCRIPTION	
				PRODUCTION RELEASE	
				DATE	
				8-24-81	
				APPROVED	
				<i>[Signature]</i>	
				REV PER ECO 2302	
				DATE	
				8/6/81	
				APPROVED	
				<i>[Signature]</i>	

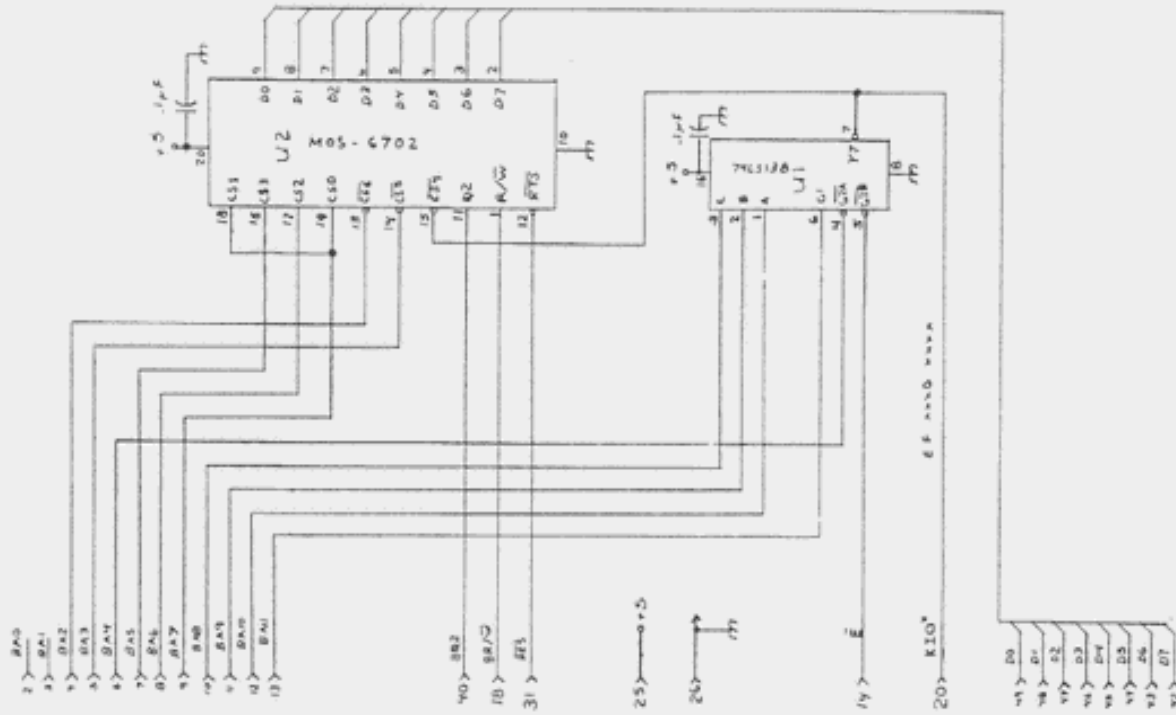


QUANTITY REQD PER PART / DASH NO.	QTY	PART NUMBER	DESCRIPTION	REF DES
	1	B 324054-01	PCB FAB, MEMORY PROTECT	
	2	C 324055-01	LOGIC DIAGRAM, MEMORY PROTECT	
	1	B 901889-01	I.C. 6702	U2
	1	B 901521-16	I.C. 74LS138	U1
	2	B 900461-28	CAP, CERAMIC AXIAL, .1uF, 50V	C1, 2

DRAWN BY:	R W	DATE:	8-26-81
CHEK BY:	<i>[Signature]</i>	DATE:	8-26-81
ENGR. APPROV.:	<i>[Signature]</i>	DATE:	8-27-81
USED ON:	SUPER	NEXT ASSY:	324042
commodore		PCB ASSY	
MEMORY PROTECT		SIZE B	
SCALE 2/1		SHEET 1 OF	
324056		REV B	

REVISIONS

LTW	ZONE	DESCRIPTION	DATE	APPROVED
A		PRODUCTION RELEASE		<i>[Signature]</i>



-01 SHOWN

DESIGNED BY R. U.		DATE 8/28/84	
CHECKED BY [Signature]		DRAWN BY [Signature]	
TOLERANCES ON DIMENSIONS FRACTIONS DECIMALS INCHES MILLIMETERS		USED ON SHEET PET	
MATERIAL		NEXT ASSY 324056	
FINISH		SIZE C	
		SCALE NONE	
		SHEET 1 OF 1	
commodore LOGIC DIAGRAM			
		REV A	
		324055	

TITLE		PCB ASSY S.P. COMBO		P/N	9000007
LTR		ZONE	DESCRIPTION	DATE	APPROVED
A			PRODUCTION RELEASE	7/9/02	<i>[Signature]</i>
B			REV PER ECO 2566	7/18/02	<i>[Signature]</i>
C			REV PER ECO 2586	8/5/02	<i>[Signature]</i>
D			REVISED PER ECO 2621	11/06/02	<i>[Signature]</i>
E			REV PER ECO 2631	11/26/02	<i>[Signature]</i>
F			REV PER ECO 2650	12/18/02	<i>[Signature]</i>
G			REVISED PER ECO 2731	1/16/03	<i>[Signature]</i>
H			REVISED PER ECO 2807	8/11/03	<i>[Signature]</i>

9000007
OF 188

PART NO.	DESCRIPTION
9000007-01	PCB ASSY S.P. COMBO - 60 HZ

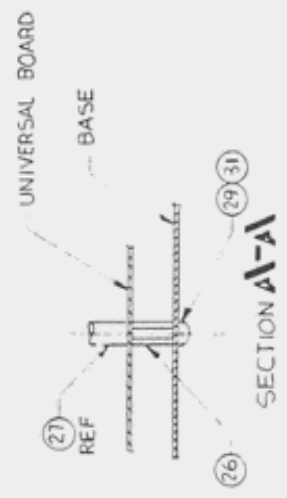
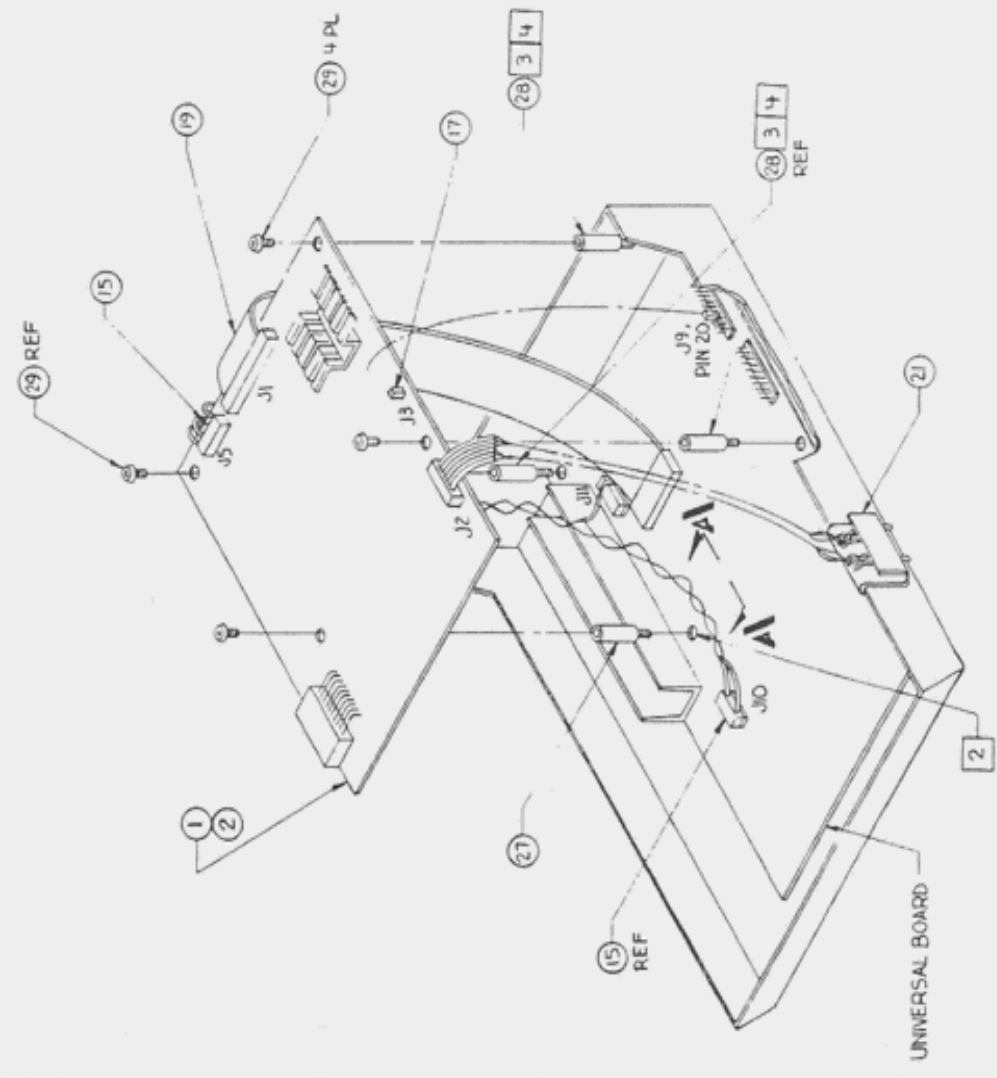
1. SHEET 4 OF 4 SIZE D
 ASSY DWG
 NOTES-UNLESS OTHERWISE SPECIFIED:

COMMODORE	DRAWN BY	<i>[Signature]</i>	DATE	2-4-02	ENGR	<i>[Signature]</i>	SIZE	B	SHEET	1 OF 4
	CHKD	<i>[Signature]</i>	DATE	2-10-02	APPN	<i>[Signature]</i>				

QUANTITY REQD. PER PART / DASH NO.	ITEM #	QTY	PART NUMBER	DESCRIPTION	REV	NOTES
	38	2	901527-02	7805 VOLTAGE REGULATOR +5V		VRI VR2
	39					
	40					
	41	4	902847-03	2N2222, TRANSISTOR NPN		Q1,Q2,Q4,Q5
	42	1	902704-01	2N4403, TRANSISTOR PNP		Q3
	43					
	44	10	901550-105	RESISTOR, CARBON 1/4W 5% 33Ω		R8-R17
	45	1	901550-38	RESISTOR, CARBON 1/4W 5% 510Ω		R7
	46	1	901550-31	RESISTOR, CARBON 1/4W 5% 680Ω		R21
	47	2	901550-01	RESISTOR, CARBON 1/4W 5% 1KΩ		R4, R22
	48	2	901550-32	RESISTOR, CARBON 1/4W 5% 1.3KΩ		R19, R20
	49	1	901550-69	RESISTOR, CARBON 1/4W 5% 1.5KΩ		R6
	50	4	901550-02	RESISTOR, CARBON 1/4W 5% 3.3KΩ		R18, R24, R1, R5
	51	3	901550-12	RESISTOR, CARBON 1/4W 5% 2.2KΩ		R23, R2, R3
	52	2	901550-94	RESISTOR, CARBON 1/4W 5% 68Ω		R25, R26
	53					
	54					
	55	39	900461-16	CAP, CERAMIC 50V/.01μF		G6-C41, C1-C3
	56					
	57					
	58	2	900109-01	CAP, ELECT. 25V/4.7μF		C4, C5
	59					
	60					
	61	3	904150-04	IC SOCKET, 24 PIN		XU45, U46, U49
	62	2	904150-06	IC SOCKET, 40 PIN		XU13, UI7
	63	1	904150-08	IC SOCKET, 20 PIN		XU41
	64	1	900555-02	CRYSTAL, 1.8432 MHZ		Y1
	65					
	66	1	903345-20	HEADER ASSY, DUAL ROW .100 CENTERS 40 PIN		J1
	67	1	903326-07	HEADER ASSY, 100 CENTERS 7 PIN		J2
	68	1	903326-01	HEADER ASSY, 1 PIN		J3
	69	1	903266-01	CONNECTOR RIGHT ANGLE RS-232		J4
	70	1	903327-07	HEADER ASSY .100 CENTER 7 PIN		J5 REMOVE PIN 3 & 4 AT ASSY
	71					
	72	1	903025-01	FERRITE BEAD		FBI
	73	1	902913-01	HEATSINK		
	74					

TITLE: PCB ASSY S.P. COMBO		DATE: 2/4/92	ENGR: J. Lee	DATE: 3/8/92	REV: H	REV: 3	REV: 4
DRAWN BY: S. G. Gentry		CHKD: L. J. S.	APPR: J. Lee	DATE: 3-10-92	SIZE: 9000007		
commodore		www.commodore.ca					

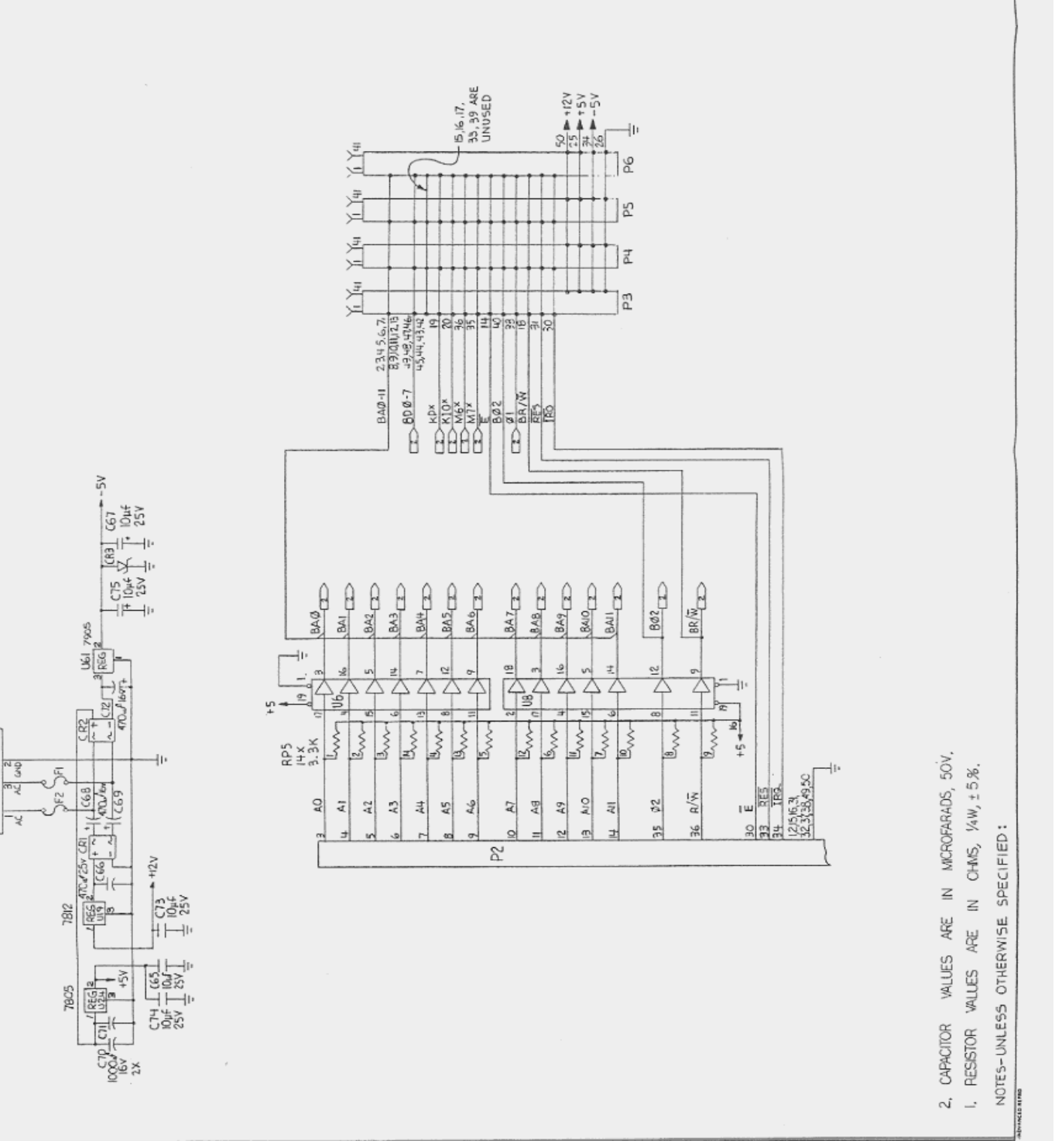
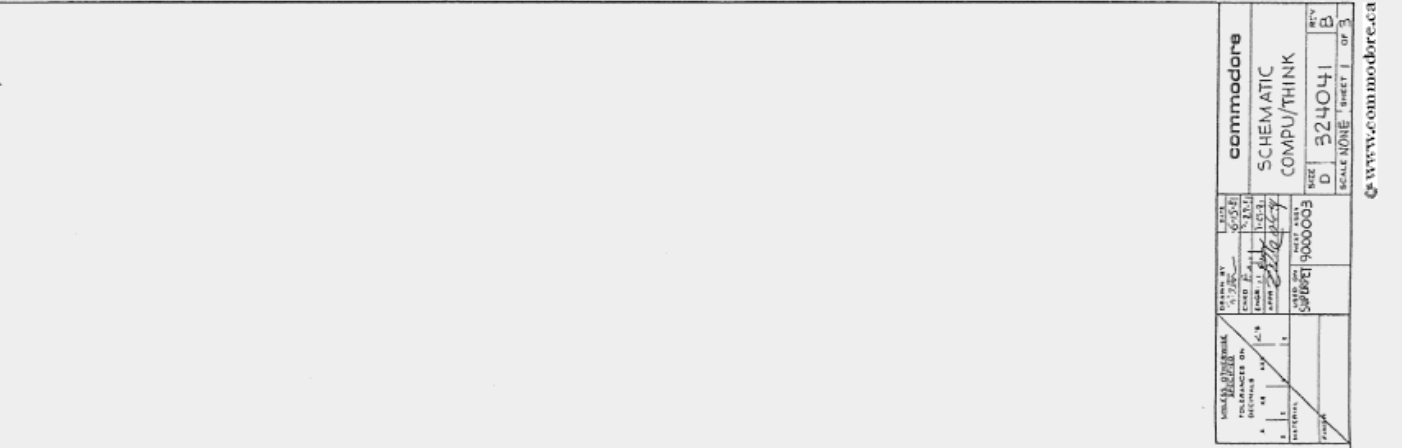
REVISIONS		DATE	APPROVED
LTR	ZONE	DESCRIPTION	
		SEE SHEET 1	



MILLER UNIVERSAL SPECIFIED TOLERANCES ON DIMENSIONS 1. 0.005 2. 0.002 3. 0.001 4. 0.0005 5. 0.0002	DRAWN BY CHKD BY ELENOR J. H. J. J. DATE 3/26/78	SIZE 3-1/2 B 3-1/2 C 3-1/2 D 3-1/2 E	commodore	
			8051/816/817 PET COIALD CURVY R'310H KIT	
USED ON		HEAT SINK	SIZE C 9000035	REV B
MATERIAL		FINISH	SCALE NONE SHEET 3 OF 7	

REV	DATE	DESCRIPTION	APPROVED
A		PRODUCTION RELEASE	
B		REV PER ECO 2376	

REV	DATE	DESCRIPTION	APPROVED
A		PRODUCTION RELEASE	
B		REV PER ECO 2376	



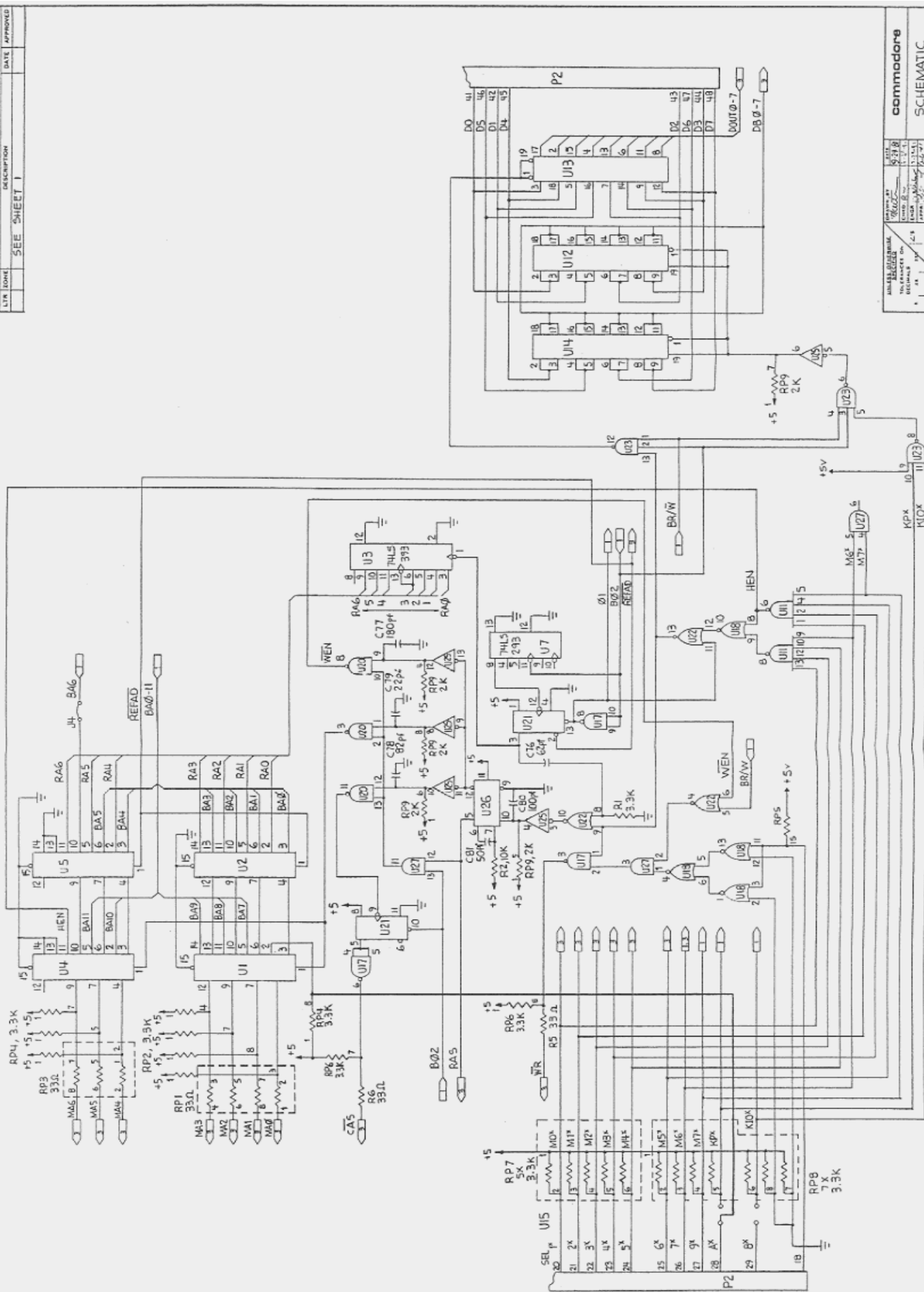
REV	DATE	DESCRIPTION	APPROVED
A		PRODUCTION RELEASE	
B		REV PER ECO 2376	

REV	DATE	DESCRIPTION	APPROVED
A		PRODUCTION RELEASE	
B		REV PER ECO 2376	

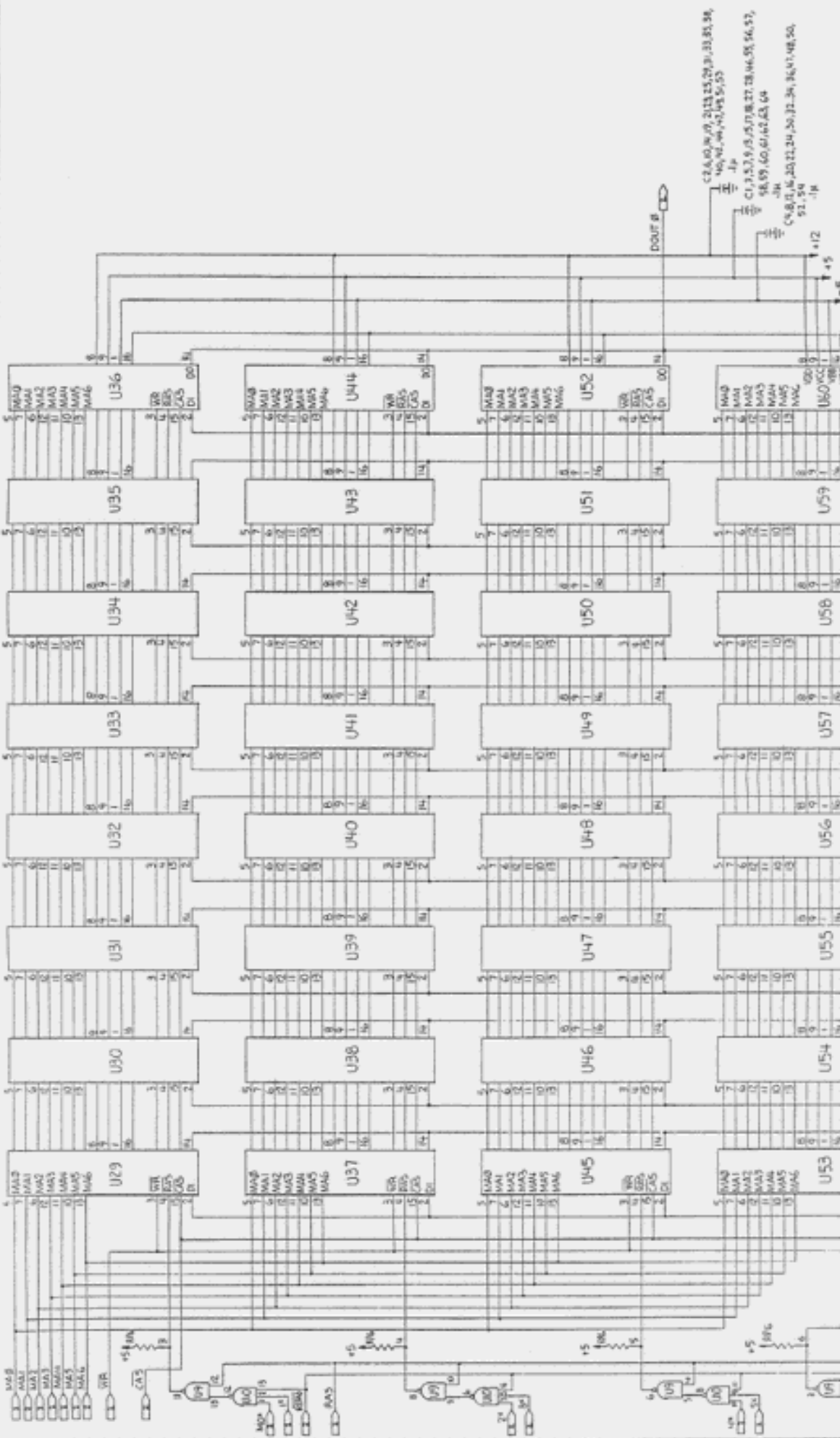
2. CAPACITOR VALUES ARE IN MICROFARADS, 50V.
 1. RESISTOR VALUES ARE IN OHMS, 1/4W, ± 5%.

NOTES-UNLESS OTHERWISE SPECIFIED:

commodore
 SCHEMATIC
 COMPU/THINK
 D 324041 B
 SCALE NONE SHEET 1 OF 3
 www.commodore.ca



COMMODORE SCHEMATIC COMPU-THINK FILE 324041 SCALE NONE SHEET 2 OF 3	SUPPLIER: 000003 SUPPRESS: 000003 REV: B DATE: 11/11/81
---	--



2, 2, 6, 10, 20, 21, 23, 25, 29, 30, 33, 35, 38,
40, 42, 44, 45, 48, 51, 53
Jp
C1, 2, 3, 5, 9, 15, 17, 18, 27, 28, 44, 55, 56, 57,
58, 59, 60, 61, 62, 63, 64
JH
C4, 8, 11, 16, 20, 22, 24, 26, 32, 34, 36, 41, 48, 50,
51, 54
JH

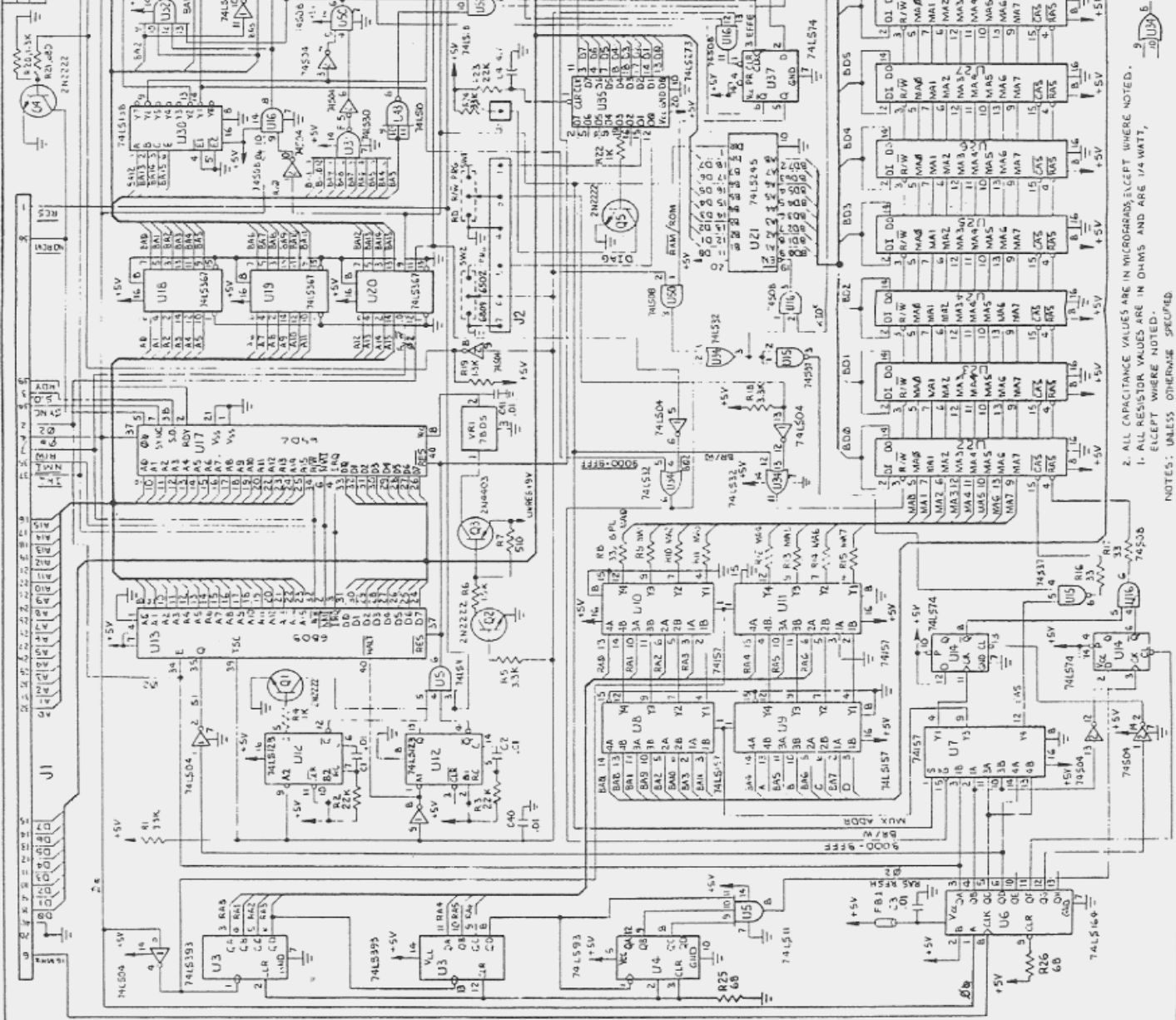
DATE	REVISED	BY	APPROVED

COMMODORE
SCHEMATIC
COMPU/THINK
D 324041
REV B
FORM 5000 (REV 3-78)

REVISIONS

NO.	DESCRIPTION	DATE	APPROVED
C	REV PER ECO 2621	7/1/81	[Signature]
D	REV PER ECO 2631	7/1/81	[Signature]
E	REV PER ECO 2731	7/1/81	[Signature]

REV PER ECO 2517

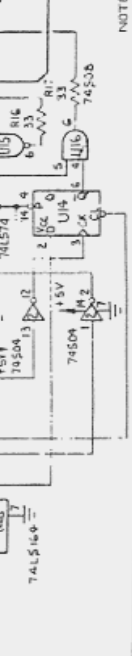
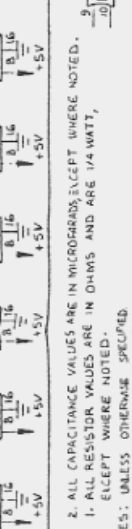
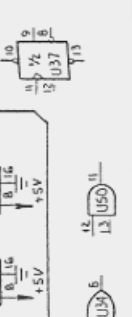


commodore
SCHEMATIC
SUPERPET COMBO BOARD

DATE: 7/1/81
DRAWN BY: [Signature]
CHECKED BY: [Signature]
SUPER-9000007
9000007
COMBO BOARD

SCALE: NONE SHEET 1 OF 1

REV: E
D: 9000016
C: 9000015



2. ALL CAPACITANCE VALUES ARE IN MICROGRAMS, UNLESS NOTED.
 1. ALL RESISTOR VALUES ARE IN OHMS AND ARE 1/4 WATT, UNLESS OTHERWISE SPECIFIED.
 NOTES: UNLESS OTHERWISE SPECIFIED.

PART NO.	DESCRIPTION
8032090-01	UNIV. DYNAMIC PET 8032-60HZ
-03	4032-60HZ (12")
-05	4016-60HZ
-07	UNIV. SUPER PET 9000 - 60 HZ
-09	UNIV. SUPERPET, CON80-880 9000 - 60 HZ
8032090-11	UNIV. DYNAMIC PET, 4032-9" - 60 HZ

- 9 REWORK INSTRUCTIONS FOR FCC: JUMPER WIRE FROM UD3 PIN 1 TO UB14 PIN 35. USE 22 AWG (IT.108). THIS CONFIGURATION IS FOR -09 & -10 ONLY.
- 8 UDI12 NOT FOR -07, -08, -09 & -10
- 7 IDENTIFY WITH APPLICABLE DASH NO.
- 6 SOLDER TO XTAL AND PCB.
- 5 FOR ITEMS 118 & 119, ALL ASSEMBLIES MUST HAVE SAME VENDOR.
- 4 SOLDER JUMPER, ITEM 106 FROM E1 TO SILVER CONTACT ON MT1, ITEM 73; TAKE CARE TO ALLOW NO MOVE THAN ONE SECOND DURATION FOR APPLICATION OF HEAT DURING SOLDERING.

REVISIONS				
LTR	ZONE	DESCRIPTION	DATE	APPROVED
A		PRODUCTION RELEASE	6/23/81	Alben
B		REV PER ECO 2157	7/14/81	Alben
C		REV PER ECO 2172	8/6/81	Alben
D		REV PER ECO 2237	8/19/81	Alben
D		REV PER ECO 2308	9/28/81	Alben
E		REV PER ECO 2368	10/11/81	Alben
E		PER ECO 2414	10/18/81	Alben
F		REV PER ECO 2565 & 2555	11/12/81	Alben
G		REVISED PER ECO 2887		
H		REVISED PER ECO 3027		

- 11 CUT PINS 9 & 10 AT UET. CONNECT PIN 9 TO GND.
- 10 CONNECT ITEM 43 FROM PIN 15 OF UA19 TO VCC(+5V).
- 4 REFER TO PART SUBSTITUTION INDEX, P/N 321233.
- 3 SOLDER AT 3 PLACES, EQUALLY SPACED AROUND THE BRASS BASE MT1 (ITEM 73)
- 2 IDENTIFY WITH APPLICABLE DASH NO.

1. SHEET 6 OF 7 SIZE C, SHEET 7 OF 7 SIZE D.

NOTES: UNLESS OTHERWISE SPECIFIED:

commodore www.commodore.ca	TITLE PCB ASSY - UNIV. DYNAMIC PET	DRAWN BY [Signature]	ENGR [Signature]	DATE 7-11-81	SIZE B	DRAWING NUMBER 8032090	SHEET OF 7
			APPR [Signature]	DATE 6-17-81			

QUANTITY RECD PER PART / DASH NO.		REV	PART NUMBER	DESCRIPTION	REF DES	QTY	NOTES	
11	10							
1	1		D 8032088-01	FABRICATION-UNIV. DYNAMIC PET				
1	1		D 8032087-01	LOGIC DIAGRAM-UNIV. DYNAMIC PET				
1	1		B 901640-01	IC 2332	UA3			
3	3		B 901521-01	74LS00	UD5,UE5,UE11			
3	3		B 901521-24	74LS10	UD4,UE7,UE13			
1	1		B 901522-20	7425	UE14			
1	1		B 901521-02	74LS04	UE15			
1	1		B 901523-01	LM555	UD16			
1	1		B 901522-01	7417	UD15			
1	1		B 901435-01	6502	UB14			
1	1		B 901479-01	CRT CONTROLLER	UB13			
1	1		B 901522-13	74154	UE12			
2	2		B 901436-01	6520	UB12,UB16			
3	3		B 901524-01	MC3446	UA20,UB17,UC12			
1	1		B 901437-01	6522	UB15			
1	1		B 901521-09	74LS145	UC11			
2	2		B 901521-45	74LS393	UP3,UE6			
1	1		B 901521-21	74LS02	UD1			
2	2		B 901525-09	74S74	UC1,UE1			
2	2		B 901525-01	74S04	UD2,UE4			
2	2		B 901521-06	74LS74	UB2,UB1			
1	1		B 901522-28	74166	UA2			
1	1		B 901447-10	2316	UA3			
1	1		B 901521-32	74LS86	UC2	SEE NOTE 4		
1	1		B 901521-28	74LS164	UE3	SEE NOTE 4		
1	1		B 901521-16	74LS138	UC3			
4	4		B 901521-11	74LS157	UC8-UC10,UE2	SEE NOTE 4		
1	1		B 901465-22	2332	UD6			
1	1		B 901465-21	2332	UD8			
1	1		B 901465-20	2332	UD9			
1	1		B 901465-23	2332	UD10			
1	1		B 901522-04	IC 7400	UF1			
1	1		B 900110-07	CAP. LOW LEAK. ELECT. 1uF 50V C19				
5	5		B 900461-28	CAP. CERAMIC AXIAL .1uF 50V C12,15,18,20-22,25-28,30-50,53,55-59,62-72,75,87,89,90,95,96				
TITLE: PCB ASSY-UNIV. DYNAMIC PET							DATE: 7-11-81	ENGR: [Signature]
commodore							CHKD: [Signature]	APPR: [Signature]
							SIZE: B	REV: H
							SHT: 2	TOT: 7

QUANTITY REQD PER PART / DASH NO.		QTY	%	PART NUMBER	DESCRIPTION	REF DES	BEND	NOTES	
1110	09								08
3	3	3	75	900750-05	DIODE,1N4005	CR15,7			
2	2	2	376	900757-01	.BRIDGE 4A/50V	CR2,4		SEE NOTE 4	
1	1	1	178	900753-01	.1N5402	CR3			
			79						
			80						
2	2	2	281	900941-01	DIODE,ZENER 7.5V	VR5,6			
1	1	1	82						
1	1	1	183	901527-03	VOLTAGE REGULATOR,7905,-5V/1.5A	VR1		TO-220	
1	1	1	84						
1	1	1	185	901528-04	VOLTAGE REGULATOR,7812,+12V/1A	VR2		TO-3	
1	1	1	186	901528-01	VOLTAGE REGULATOR,LM323	VR4			
1	1	1	87						
1	1	1	188	900556-02	CRYSTAL 16MHZ	Y1			
1	1	1	89						
1	1	1	190	903326-07	HEADER ASSY .100 CENTER J10	J10		7 PIN; REMOVE PIN 3 AT ASSEMBLY	
2	2	2	291	903345-25	HEADER ASSY,DUAL ROW,100 CENTER J4,9	J4,9		50 PIN	
1	1	1	192	903316-09	HEADER ASSY .156 CENTER J8	J8		9 PIN; REMOVE PIN 7 AT ASSEMBLY	
1	1	1	193	903331-07	HEADER ASSY,POLARIZED,100 CENTER J11	J11		7 PIN; REMOVE PIN 3 AT ASSEMBLY	
1	1	1	194	903331-07	HEADER ASSY,POLARIZED,100 CENTER J7	J7		7 PIN; ORIENT OMITTED PIN TO PIN 6 POSITION	
1	1	1	195	903331-20	HEADER ASSY,POLARIZED,100 CENTER J5	J5		20 PIN; ORIENT OMITTED PIN TO PIN 19 POSITION	
			96						
4	4	4	497	904150-04	SOCKET,16 LOW PROFILE 24 PIN	UA3,UD7,UD11,UD12		SEE NOTE 8	
1	1	1	198	904150-06	SOCKET,16 LOW PROFILE 40 PIN	UB14			
1	1	1	199	904150-01	SOCKET,16 LOW PROFILE 14 PIN	UF1			
2	2	2	200	901151-17	COIL,INDUCTOR 2.2mH	L1,L2			
1	1	1	101	320086-02	BUS WIRE				
			102						
4	4	4	103	906403-19	RIVET,DOME HEAD,OPEN END				
2	2	2	104	906404-04	RIVET,DOME HEAD,CLOSED END				
			105						
1	1	1	106	903780-01	#30 WIRE WRAP WIRE, RED				
20	20	20	107	903781-01	22 AWG BARE WIRE ON TAPE,PREL				
			108	903755-03	WIRE,INSULATED, 22 AWG,12.5UG				
1	1	1	109	320268-01	HEAT SINK				
2	2	2	110	904907-01	HEAT SINK,COMPOUND THERMAL				
			111						

TITLE: PCB ASSY-UNIV, DYNAMIC PET		DATE: 1-11-81	ENGR: [Signature]	DATE: 6-11-81	APPR: [Signature]
REV: H	REV: H	SIZE: B	8032090	REV: H	REV: H

PART NO.		DESCRIPTION		REVISIONS	
LTR	ZONE	DESCRIPTION	DATE	APPROVED	
A		PRODUCTION RELEASE	8/24/80	[Signature]	
B		REV PER ECO 1935	2/27/80	[Signature]	
C		REV PER ECO 2028	2/27/80	[Signature]	
D		REV PER ECO 2284	2/16/81	[Signature]	
E		REV. PER ECO 2777	2/15/82	[Signature]	

PART NO.	DESCRIPTION
8032051-01	POWER SUPPLY ASSY, 8032 117V UL

- 6 REFER TO PART SUBSTITUTE INDEX P/N 321233.
- 5 SWITCH SHOWN IN 'OFF' POSITION.
- 4. ALL LEADS WILL HAVE A MINIMUM OF ONE WRAP AROUND TERMINALS PRIOR TO SOLDERING.
- 3 IDENTIFY WITH COMMODORE PART NO. 8032051 AND APPLICABLE DASH NO. LOCATE APPROX AS SHOWN.
- 2 DASH 04 CONFIGURATION SHALL BE USED FOR VDE, SEV 1 SEMKO.

1. SHEET 3 OF 3 SIZE D
ASSY DWG

NOTES - UNLESS OTHERWISE SPECIFIED:

commodore <small>SEARCH DRAWINGS IN COPRESS NUMBER NO. 1514</small>	TITLE POWER SUPPLY ASSY, 8032		DRAWN BY E. CHRISTENSEN	DATE 4/22/80	ENGR APPROV.	SIZE B	DRAWING NUMBER 8032051
			APP. FOR MAT P. P. SEMKO	DATE 8-19-80		SHEET 1	OF 3

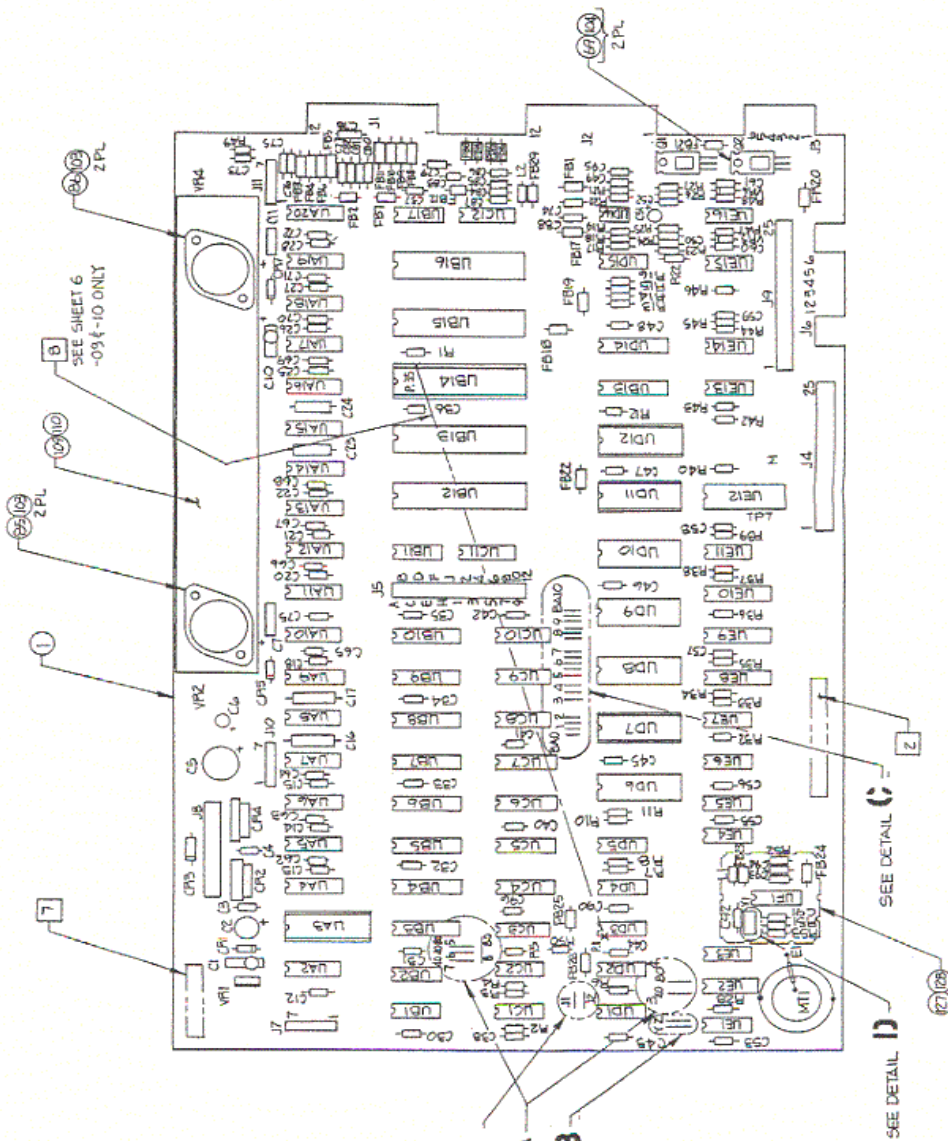
QUANTITY REQD PER PART / DASH NO.	PART NUMBER	DESCRIPTION	REF DES	QTY	NOTES
2	8			9	
1				8	
1	D	CHASSIS POWER UNIVERSAL TRANSFORMER	T1		SEE NOTE <input checked="" type="checkbox"/> FOR SUBSTITUTE
1	C				
1	B				
1	B	CAPACITOR 23,000 MFD	C1		
1	B	FILTER POWER CONNECTOR			
1	B				
1	B	DYNAMIC PET POWER HARNESS			
1	B	FUSE, 125V SLO-BLO 1GA	F1		
1	B				
1	B	FUSE HOLDER	XFI		FOR SUBSTITUTE SEE NOTE <input checked="" type="checkbox"/>
1	B	SWITCH, ROCKER	SW1		
1	B				
1	B	TUBE, SHRINKABLE			
1	B	TUBE, SHRINKABLE			
1	B	LEAD WIRE (BLACK)			
1	B				
1	B	FUSE CARRIER			FOR SUBSTITUTE SEE NOTE <input checked="" type="checkbox"/>
1	B	SCREW, PAN HEAD, #10-32 x .250 LG			
1	B	WASHER, LOCK, INT TOOTH #10			
1	C	GROUND CABLE ASSY			
1	B	SCREW, PAN HEAD #4-40 x .38 LG			
1	B	NUT KEPS #4-40			

commodore TITLE: POWER SUPPLY ASSY, 8032

DRAWN BY: K. CHRISTENSEN
 CHECKED BY: N.P.
 DATE: 12/18/80
 ENGR: [Signature]
 APPR: [Signature]

UNIT: []
 SIZE: B
 REV: E
 SHIT: 2/3

REV	DATE	DESCRIPTION	APPROVED
1		SEE SHEET 1	



DETAIL A
SCALE: NONE

JUMPER CONFIGURATIONS

1	2	3	4	5	6	7	8	9	10
○	○	○	○	○	○	○	○	○	○
○	○	○	○	○	○	○	○	○	○
○	○	○	○	○	○	○	○	○	○
○	○	○	○	○	○	○	○	○	○
○	○	○	○	○	○	○	○	○	○
○	○	○	○	○	○	○	○	○	○
○	○	○	○	○	○	○	○	○	○
○	○	○	○	○	○	○	○	○	○
○	○	○	○	○	○	○	○	○	○

-01 THRU -04 1-07-08
32K

-05 a -06
16K

DETAIL B
SCALE: NONE

Y	Z
○	○
○	○
○	○
○	○

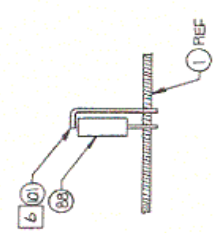
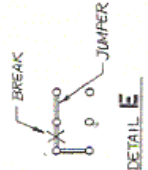
DETAIL C
SCALE: NONE

JUMPER CONFIGURATIONS

BAD	1	2	3	4	5	6	7	8	9
○	○	○	○	○	○	○	○	○	○
○	○	○	○	○	○	○	○	○	○
○	○	○	○	○	○	○	○	○	○
○	○	○	○	○	○	○	○	○	○
○	○	○	○	○	○	○	○	○	○
○	○	○	○	○	○	○	○	○	○
○	○	○	○	○	○	○	○	○	○
○	○	○	○	○	○	○	○	○	○
○	○	○	○	○	○	○	○	○	○

-01, -02, -07-08
80 COL

-03 THRU -06
40 COL



-01 THRU -10 SHOWN

DATE	REV	DESCRIPTION	APPROVED
11/18/08	1	PCB ASSY - UNV. DYNAMIC PET	
11/18/08	2	REVISED TO ADD JUMPER	
11/18/08	3	REVISED TO ADD JUMPER	
11/18/08	4	REVISED TO ADD JUMPER	
11/18/08	5	REVISED TO ADD JUMPER	
11/18/08	6	REVISED TO ADD JUMPER	
11/18/08	7	REVISED TO ADD JUMPER	
11/18/08	8	REVISED TO ADD JUMPER	
11/18/08	9	REVISED TO ADD JUMPER	
11/18/08	10	REVISED TO ADD JUMPER	

REV	DESCRIPTION	DATE	APPROVED
A	PRODUCTION RELEASE	JAN 11 80	[Signature]
B	REV PER ECO 2573		
C	REV PER ECO 2617		

MEMORY EXPANSION

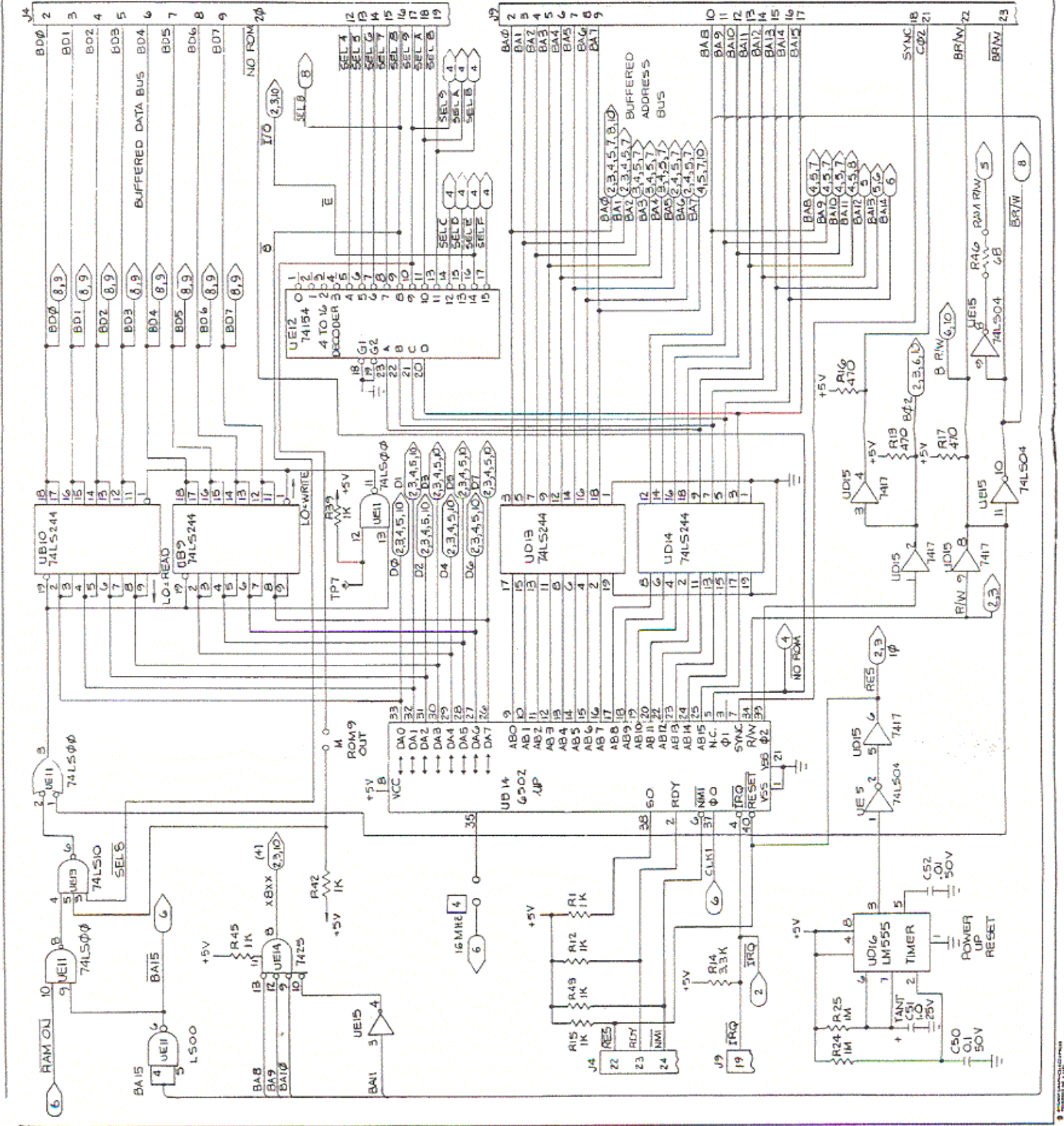
MEMORY EXPANSION

- 1 REFER TO ASSEMBLY DRAWING NUMBER 8052090.
2. ALL RESISTOR VALUES ARE IN OHMS ± 5% AND ARE 1/4 WATT.
- 3 ALL CAPACITOR VALUES ARE MEASURED IN MICROFARADS.
4. JUMPER FOR SUPERSET CONFIGURATION ONLY.

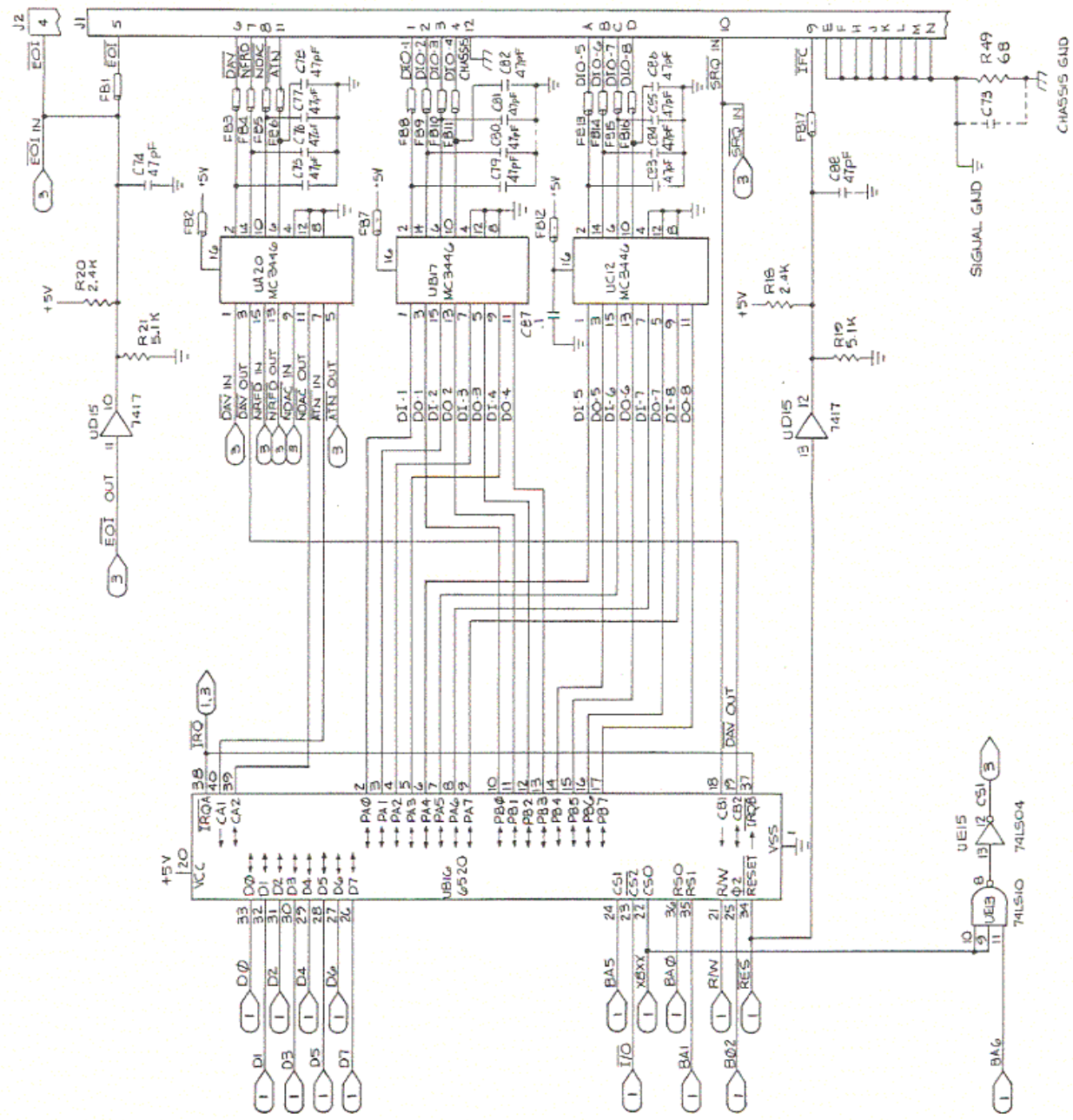
NOTES-UNLESS OTHERWISE SPECIFIED

CPU & MEMORY EXPANSION

DESIGNED BY	DATE	REV
W. DANIELS		1
CHECKED BY	DATE	REV
[Signature]		2
DATE	REV	REV
8032	8032090	D 8032087
SCALE: 1:1		SHEET 1 OF 11



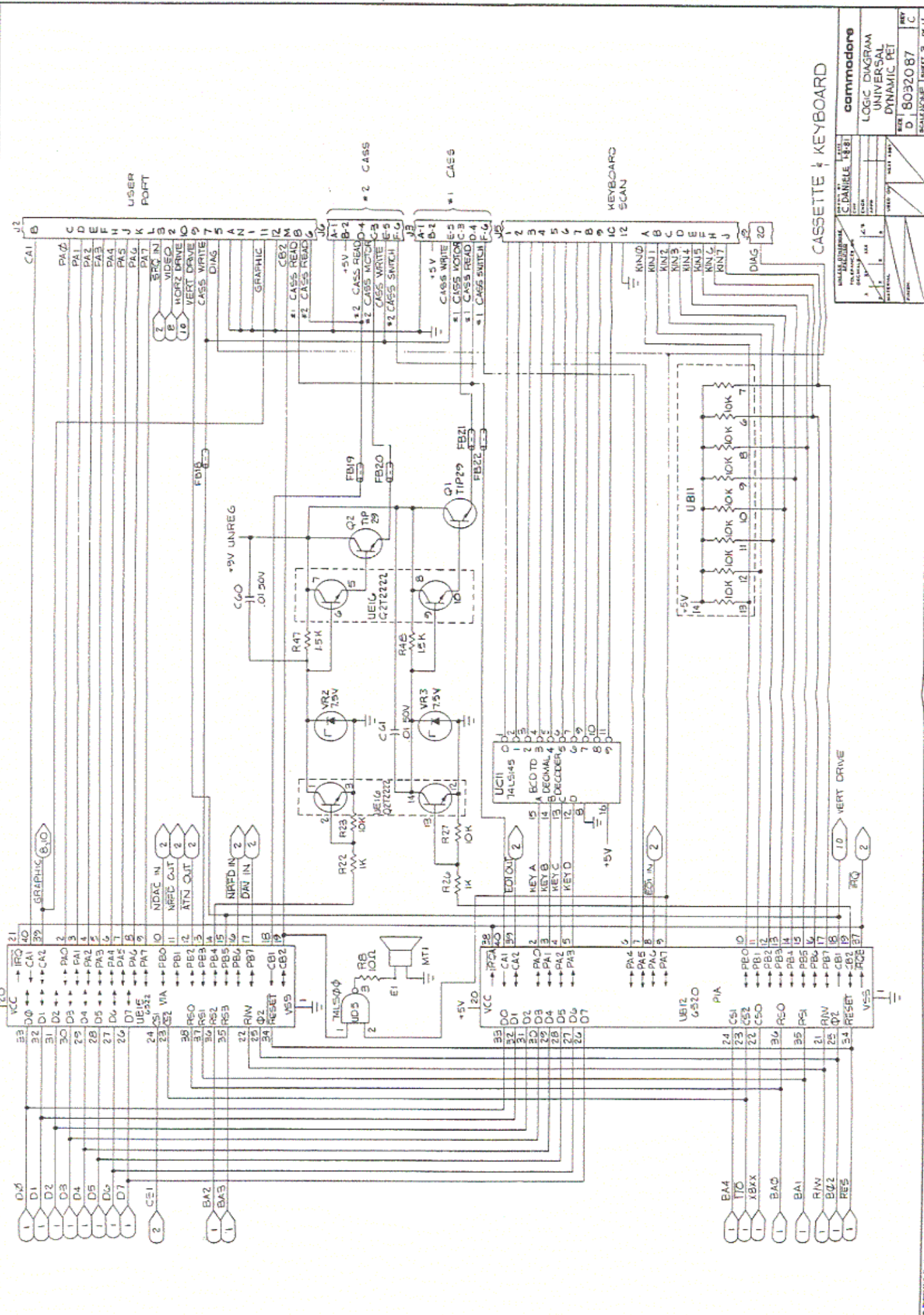
REV	DATE	DESCRIPTION	APPROVED
1			



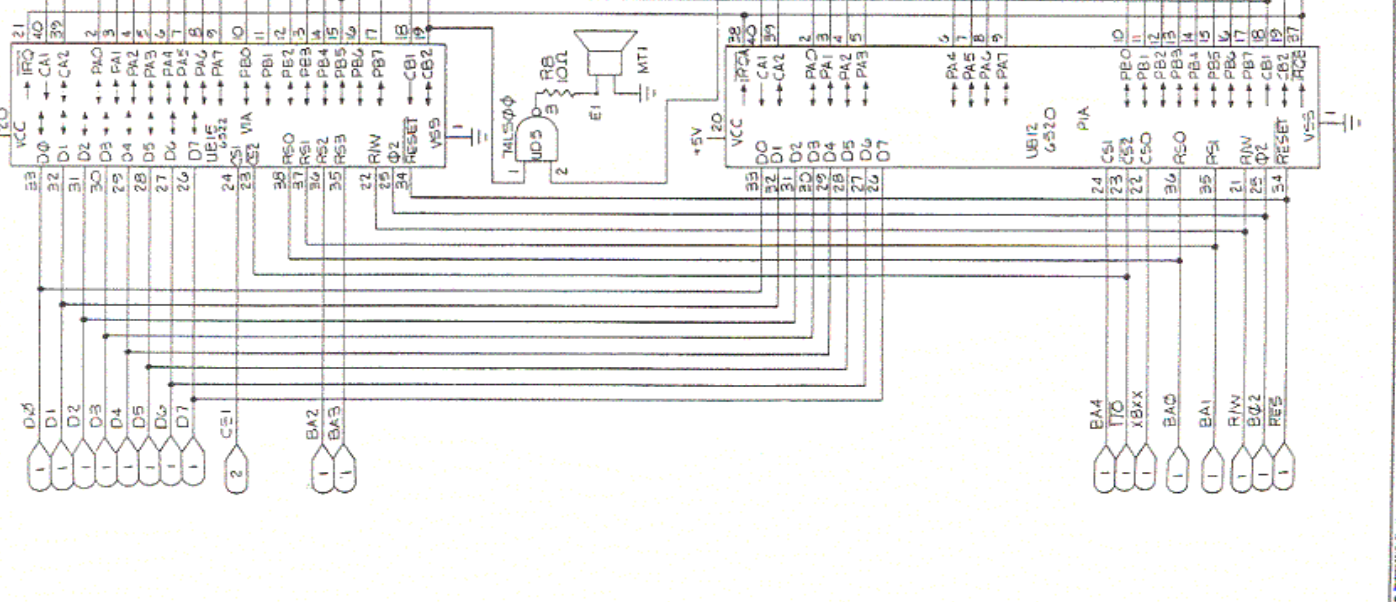
IEEE-488
INTERFACE

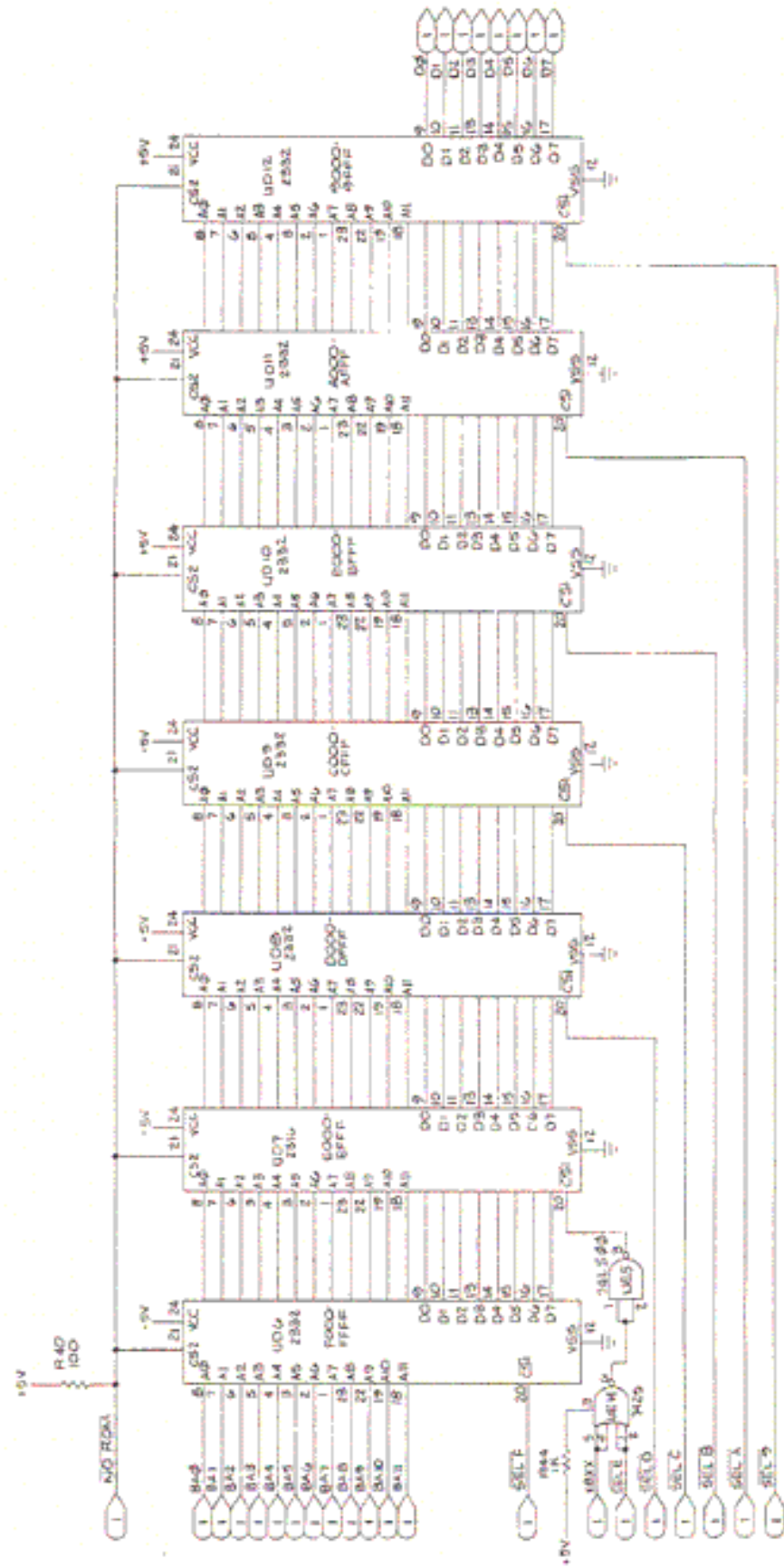
IEEE-488 INTERFACE

DESIGNED BY	C. DANIEL	DATE	1/8/88
CHECKED BY		DATE	5/7/88
SCALE	1:1	SHEET	2 OF 11
COMPANY	COMMODORE		
PRODUCT	LOGIC DIAGRAM		
MODEL	UNIVERSAL		
VERSION	DYNAMIC PET		
DATE	8032087		
SCALE	SCALE NONE		



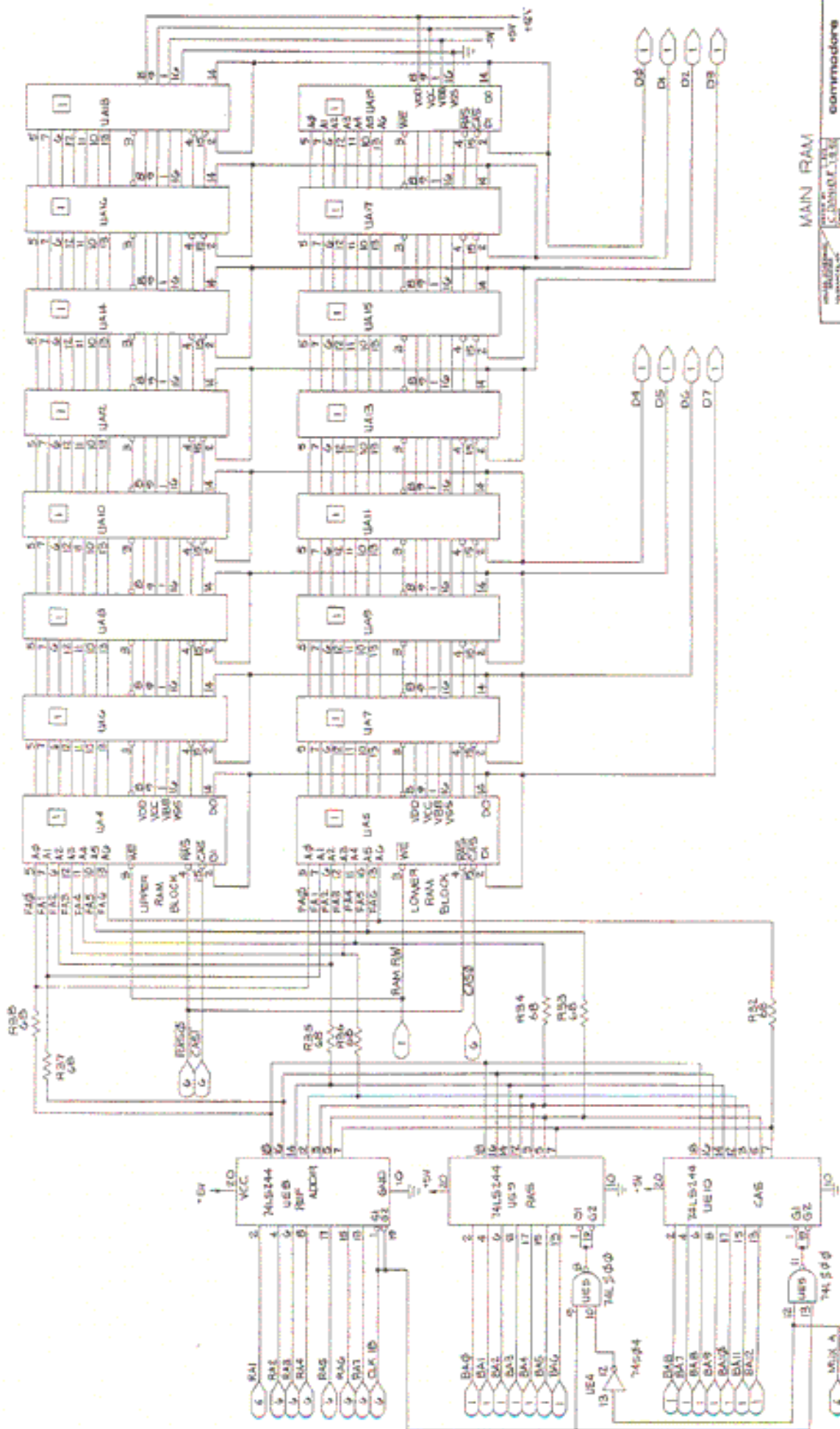
cammodore
 LOGIC DIAGRAM
 UNIVERSAL
 DYNAMIC PET
 PART D 8032087 C
 SCALE: NONE SHEET 3 OF 11
 www.cammodore.ca





ROM5

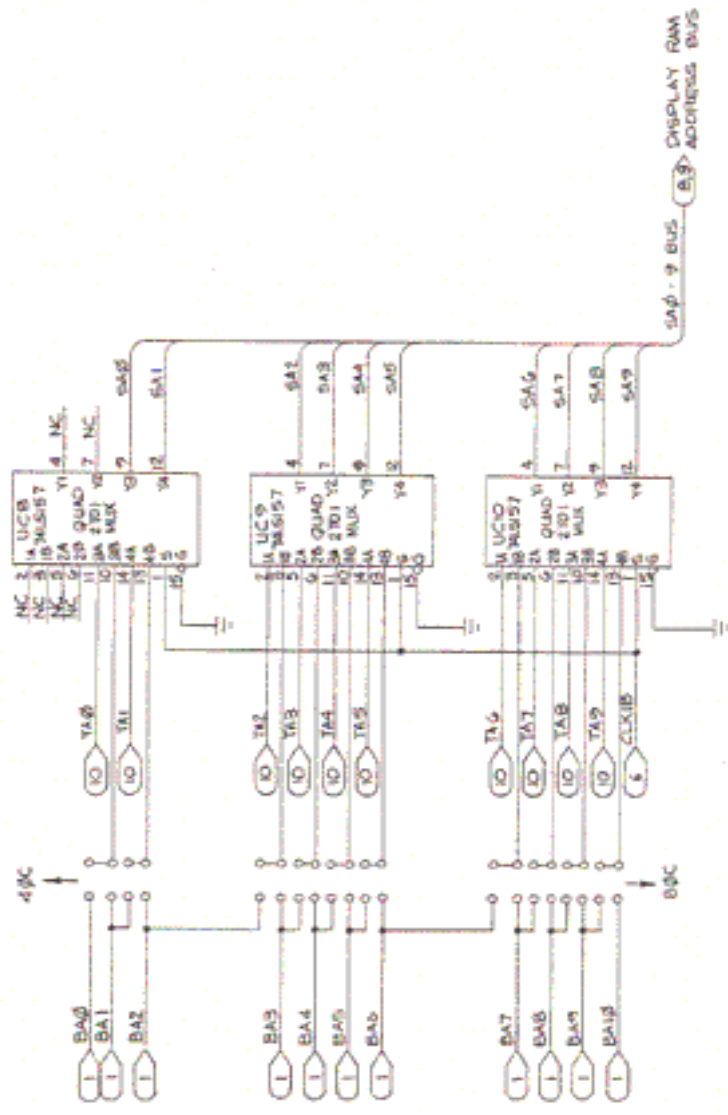
1. MATERIALE
 2. PARTIELE
 3. LOGIC DIAGRAM
 4. UNIVERSAL
 5. DYNAMIC PFI
 6. BOARD LAYOUT
 7. TEST
 8. 8032.087
 9. C
 10. 11/07/11



MAIN RAM

commodore
 LOGIC DIAGRAM
 UNIVERSAL
 DYNAMIC
 PART
 680208712
 PART 2 OF 2

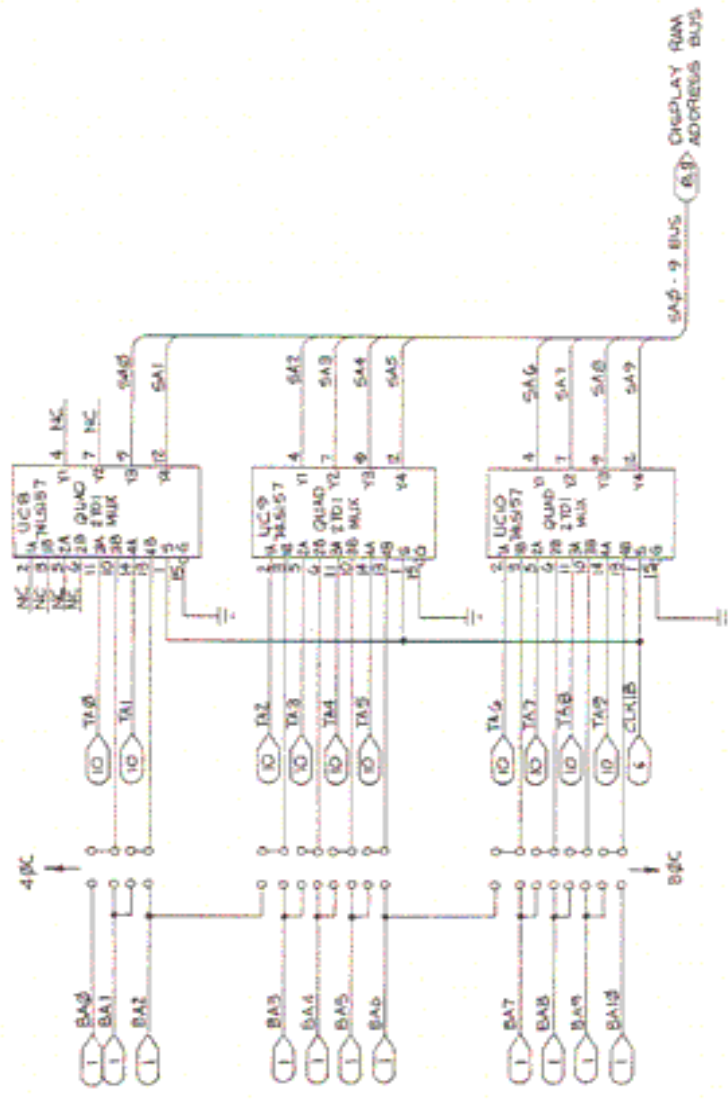
REV	DESCRIPTION	DATE	APPROVED
1	DESIGN		



DISPLAY ADDRESS MUJ

REV	DESCRIPTION	DATE	APPROVED
1	DESIGN		

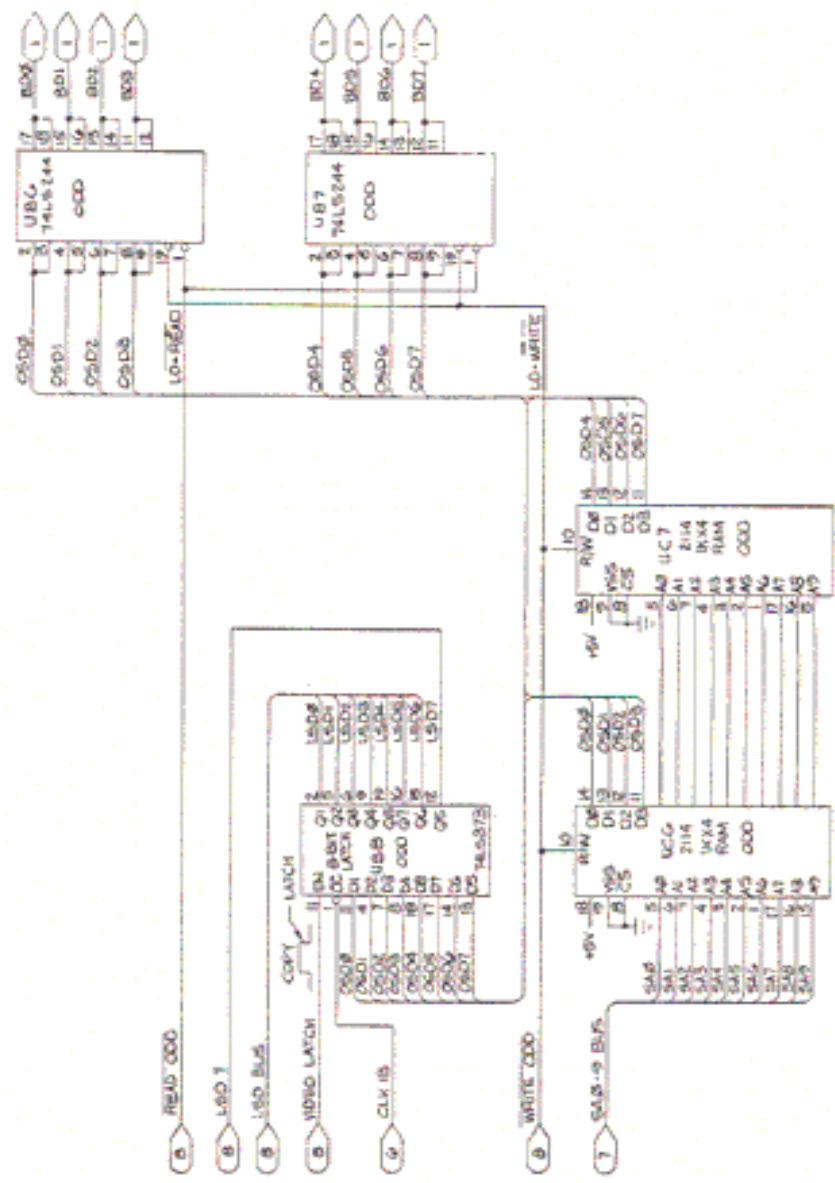
commodore
 LOGIC DIAGRAM
 UNIVERSAL
 DYNAMIC PET
 8032087
 1977



DISPLAY ADDRESS MJX

LOGIC DIAGRAM	commodore
UNIVERSAL DYNAMIC PCT	
8032087	
REVISED: 11/11/87	

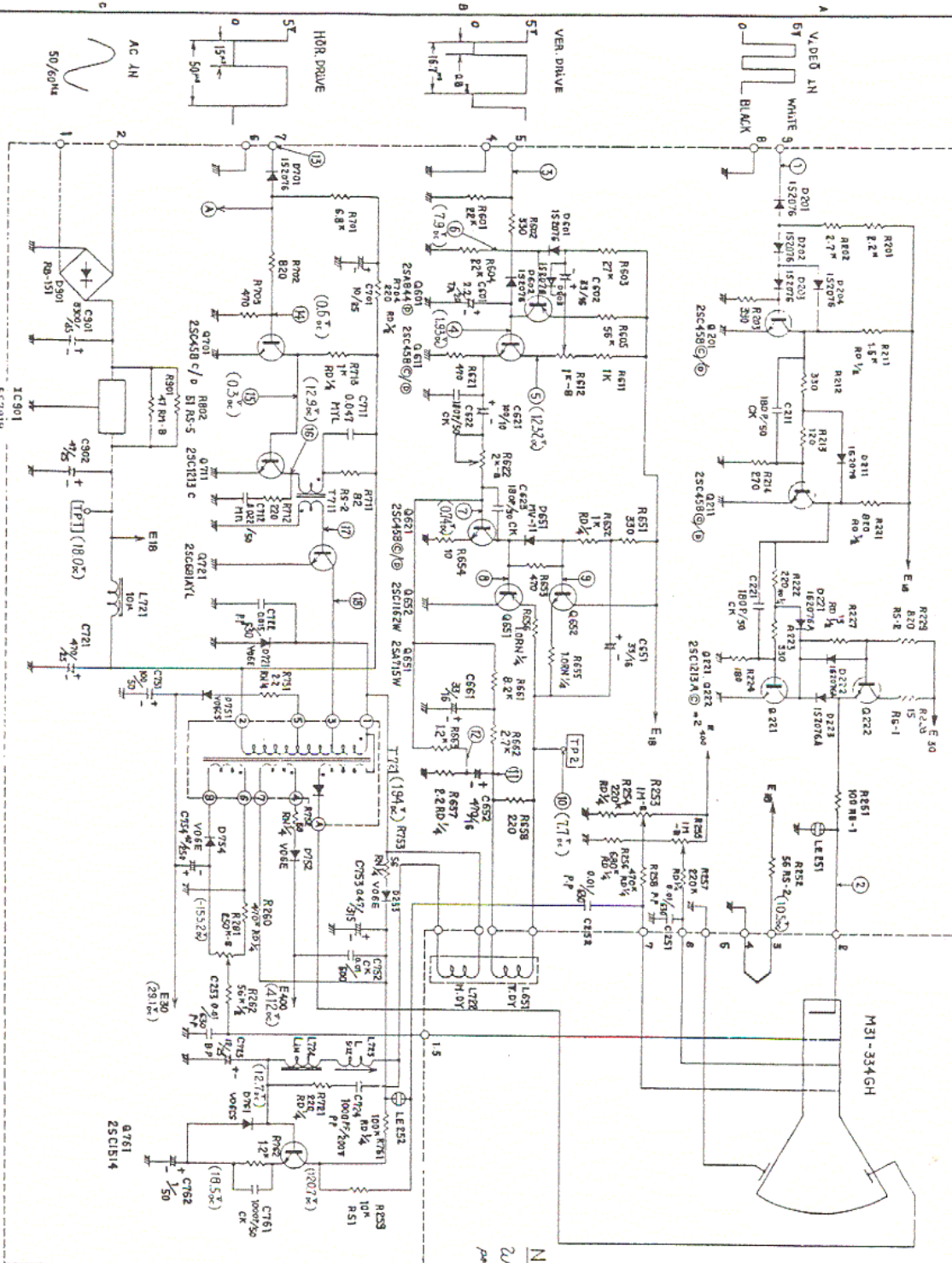
REV. NO.	REV. DATE	REV. BY	REV. DESCRIPTION
1.0	08/01/01
2.0	08/01/01



ODD DISPLAY RAMS

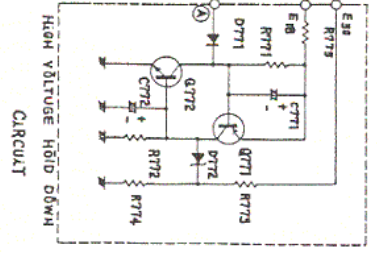
REV. NO.	REV. DATE	REV. BY	REV. DESCRIPTION
1.0	08/01/01
2.0	08/01/01

BASIC CIRCUIT DIAGRAM (CDU-B80-CMD12)



1C901
F5701B
or
M11111P

NOTES
 Components are measured at the
 points indicated with Ⓢ




comodore		
PCB SCHEMATIC 12" CRT DISPLAY		
SIZE	321448	REV
SCALE	NONE	SHEET 1 OF 1

321450

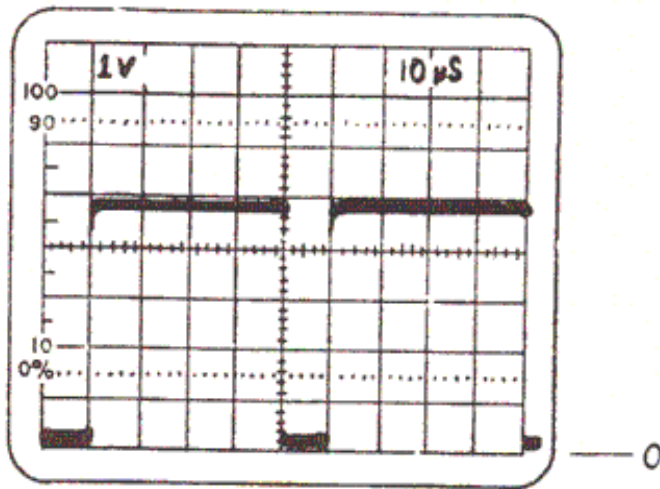
REVISIONS			
LTR	ZONE	DESCRIPTION	DATE APPROVED
A		PRODUCTION RELEASE	12/29/80 <i>[Signature]</i>

THE INFORMATION AND DATA CONTAINED HEREIN IS PROPRIETARY AND SHALL NOT BE USED OR DUPLICATED WITHOUT PERMISSION OF COMMODORE BUSINESS MACHINES, INC.

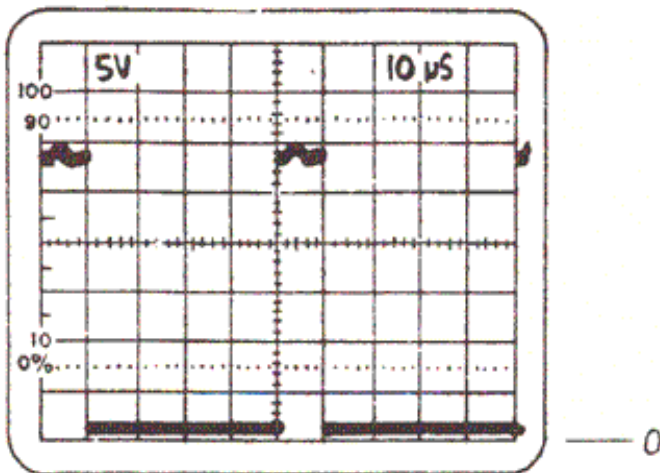
DRAWN BY: <i>Muster</i>	DATE: 12-5-80	
CHKD: <i>[Signature]</i>	12/9/80	
ENGR: <i>[Signature]</i>	12/29/80	TITLE: PCB WAVEFORMS 12" CRT DISPLAY
PROB:		
APPD:		SIZE: A DWG NO. 321450 REV: A
ENG:		RELEASE DATE: SHEET 1 OF 10

VIDEO (1/1)

1



2

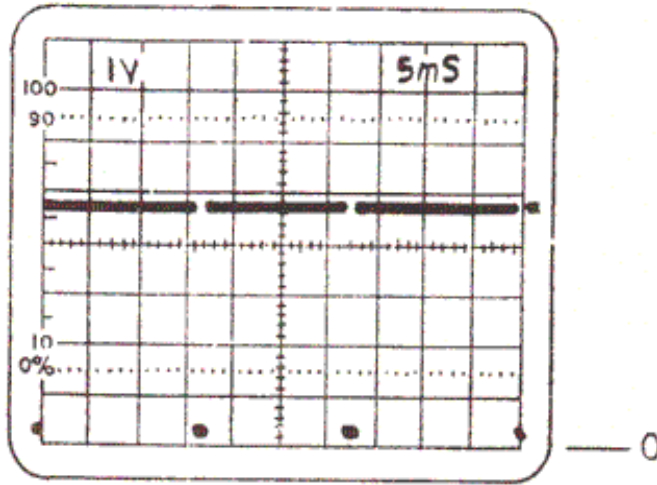


commodore		
PCB WAVEFORMS 12" CRT DISPLAY		
SIZE	321450	REV A
SCALE NONE	SHEET 2	OF 10

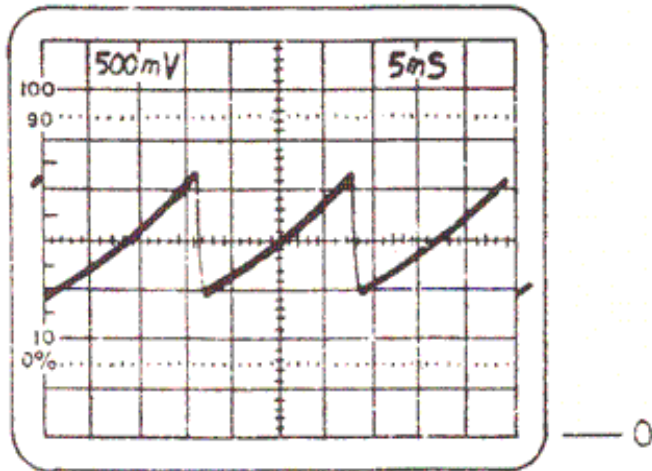
www.commodore.ca

VERTICAL (1/3)

3



4

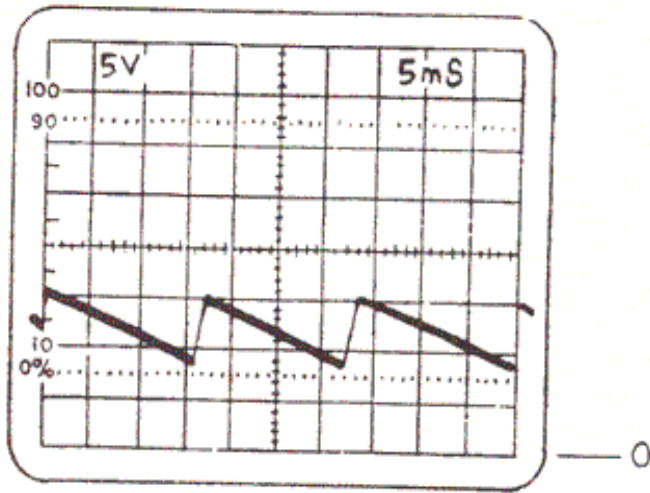


commodore			
PCB WAVEFORMS 12" CRT DISPLAY			
SIZE	321450		REV
A			A
SCALE	NONE	SHEET 3	OF 10

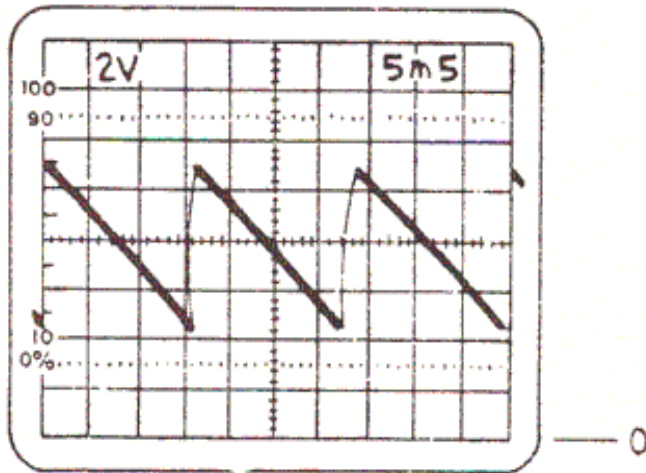
www.commodore.ca

VERTICAL (1/3)

5



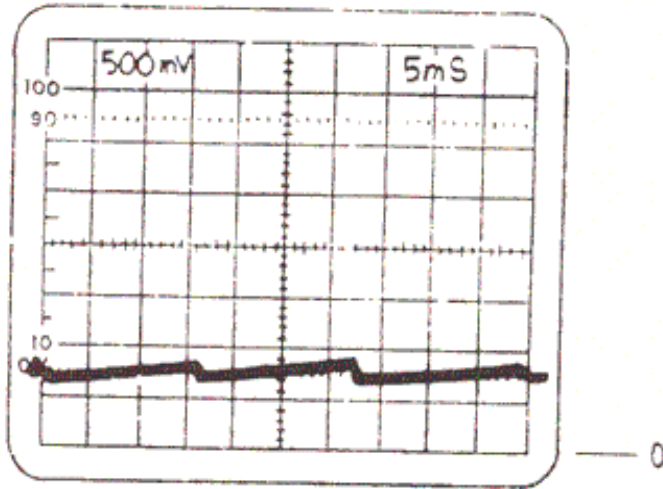
6



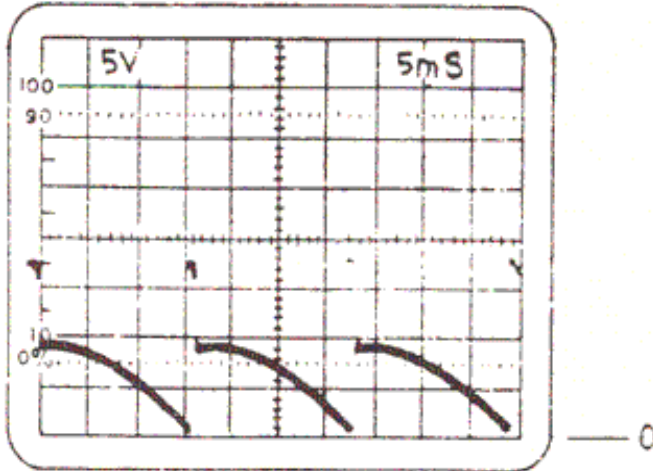
commodore		
PCB WAVEFORMS 12" CRT DISPLAY		
SIZE A	321450	REV A
SCALE NONE	SHEET 4	OF 10

VERTICAL (2/3)

7



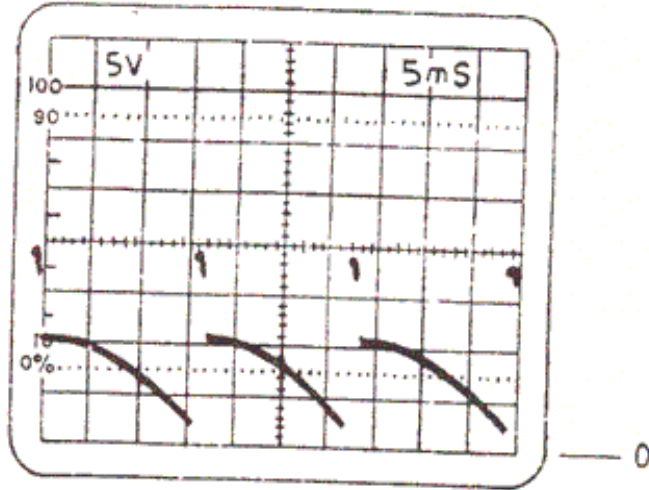
8



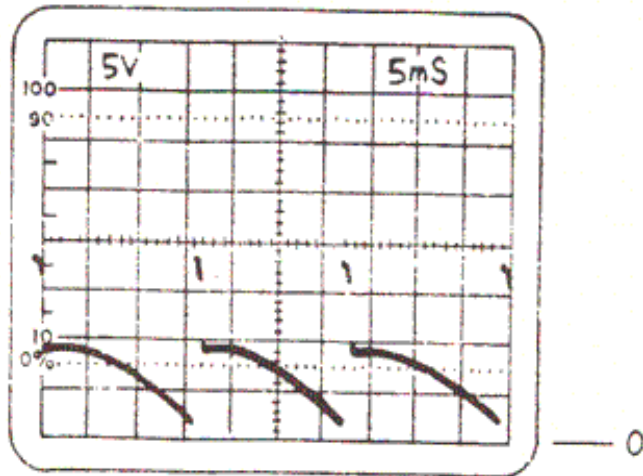
commodore		
PCB WAVEFORMS 12" CRT DISPLAY		
SIZE	32:450	REV
A		A
SCALE	NONE	SHEET 5 OF 10

VERTICAL (2/3)

9



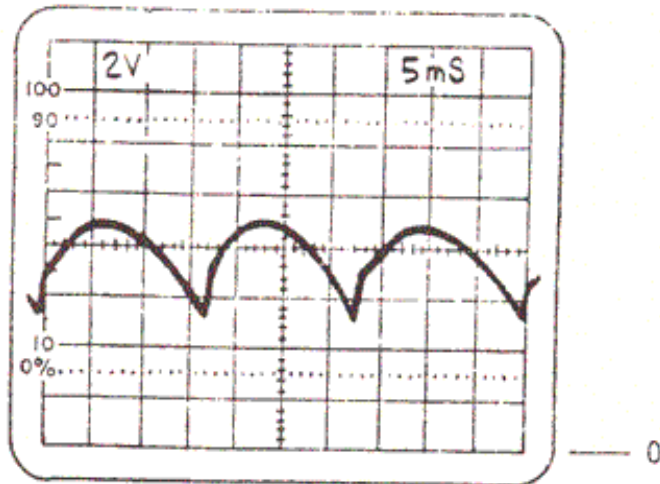
10



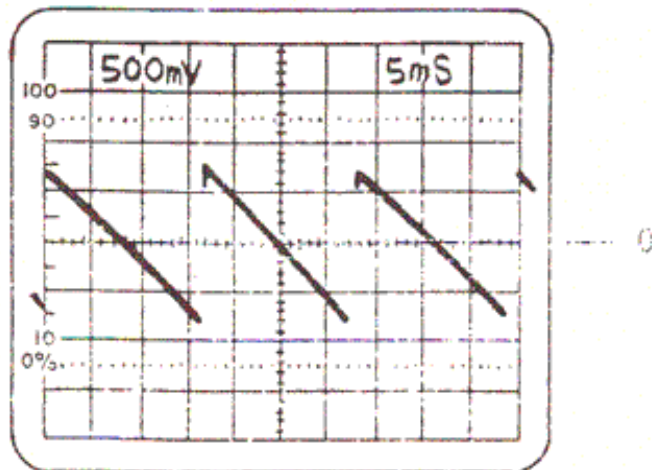
commodore		
PCB WAVEFORMS 12" CRT DISPLAY		
SIZE A	321450	REV A
SCALE NONE		SHEET 6 OF 10

VERTICAL (3/3)

11



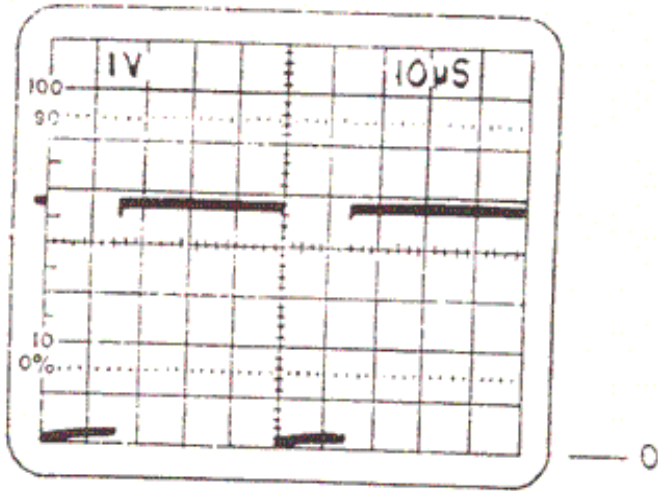
12



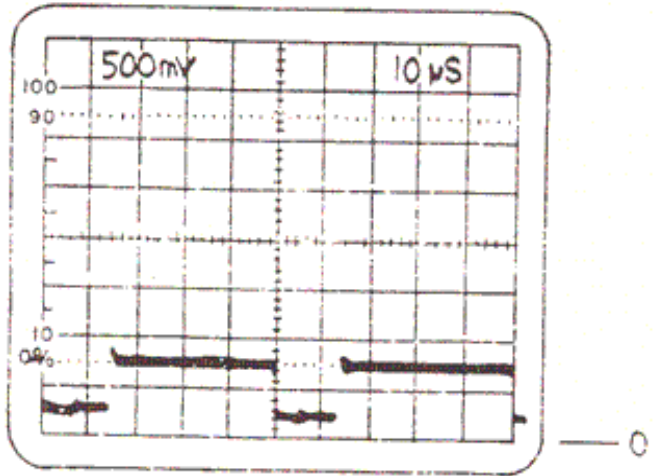
commodore		
PCB WAVEFORMS 12" CRT DISPLAY		
SIZE A	321450	REV A
SCALE NONE	SHEET 7	OF 10

HORIZONTAL (1/2)

3



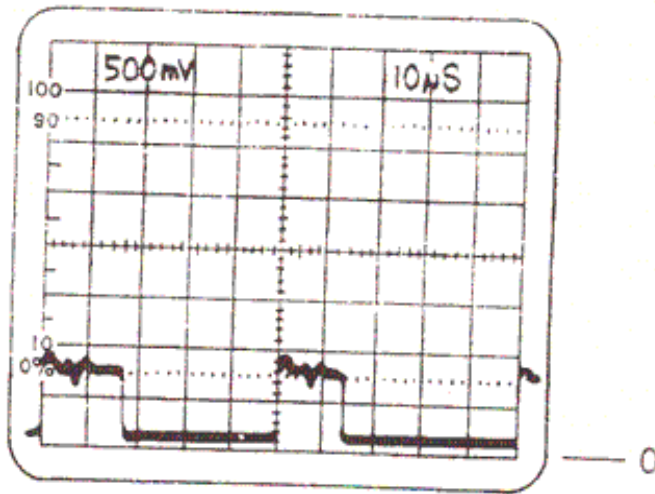
14



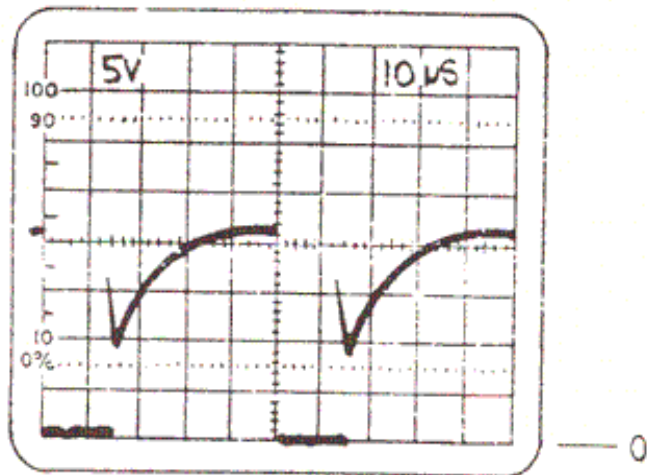
commodore		
PCB WAVEFORMS 12" CRT DISPLAY		
SIZE A	321450	REV A
SCALE NONE	SHEET 8	OF 10

HORIZONTAL (1/2)

15



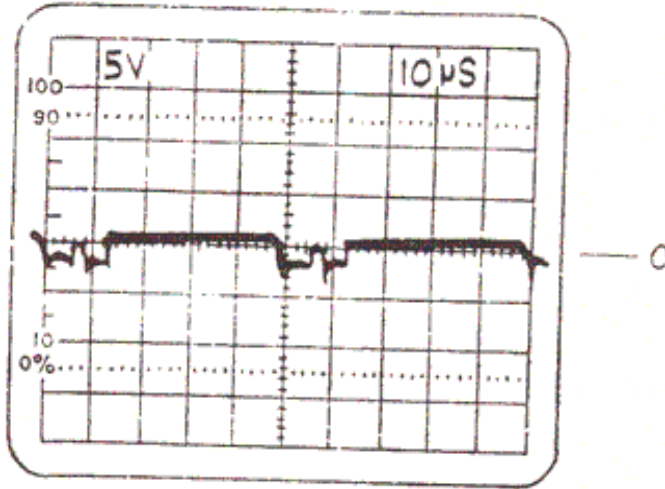
16



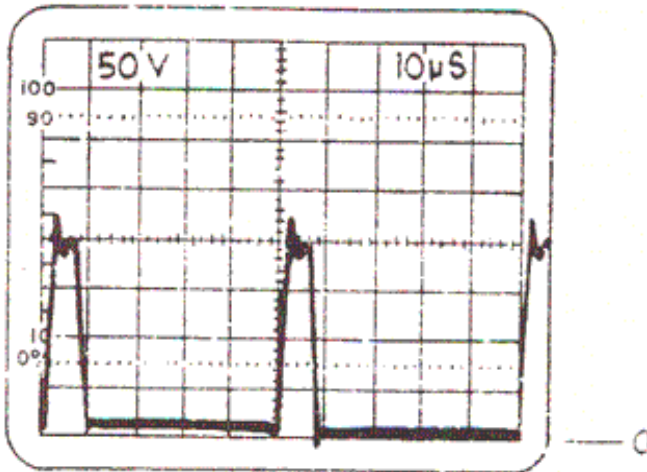
commodore		
PCB WAVEFORMS 12" CRT DISPLAY		
SIZE A	321450	REV A
SCALE NONE	SHEET 9 OF 10	

HORIZONTAL (2/2)

17

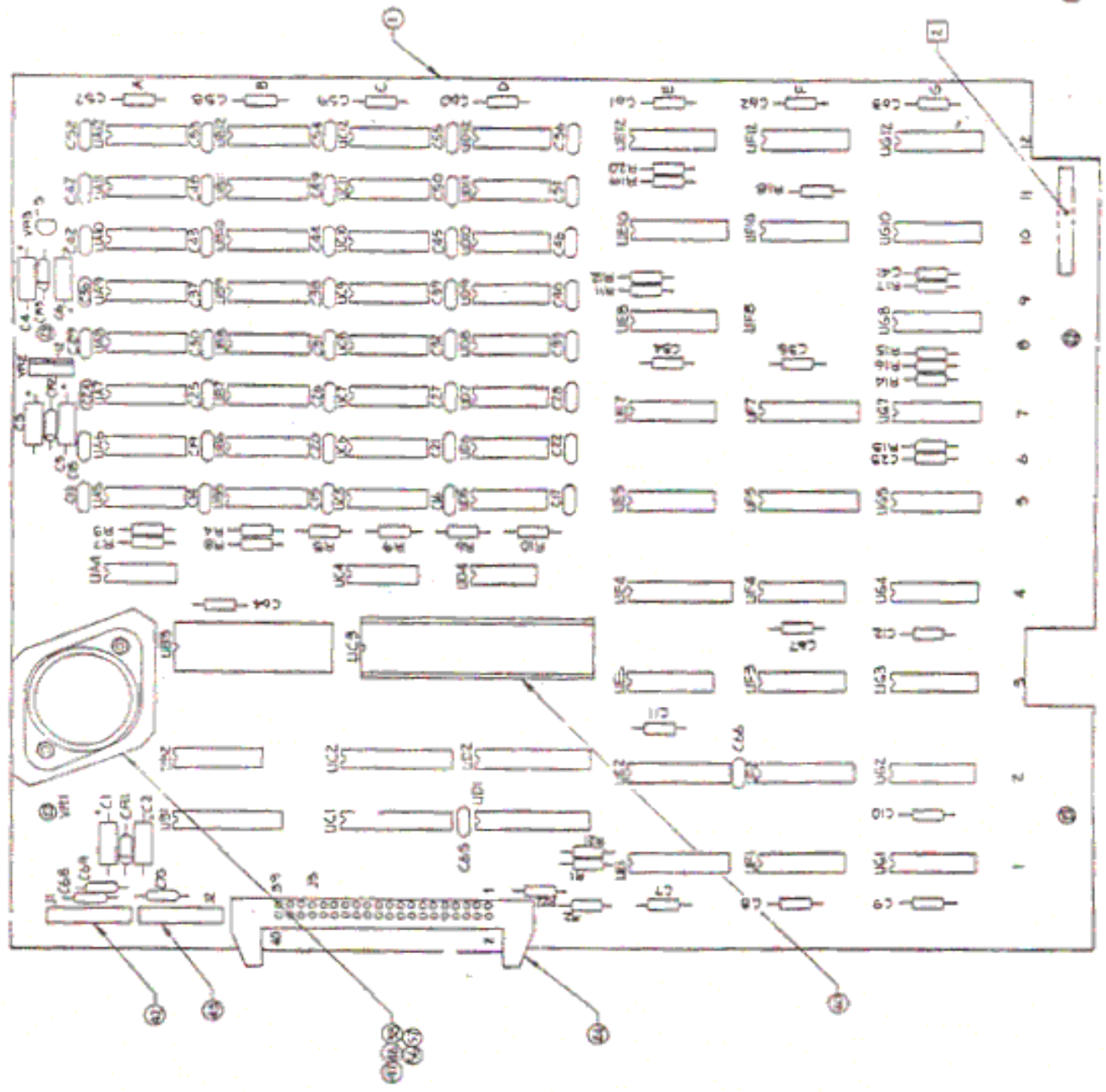
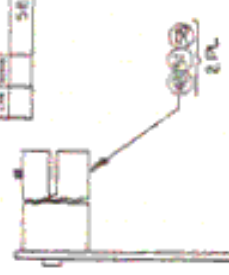


18



commodore		
PCB WAVEFORMS 12" CRT DISPLAY		
SIZE A	321450	REV A
SCALE NONE	SHEET 10	OF 10

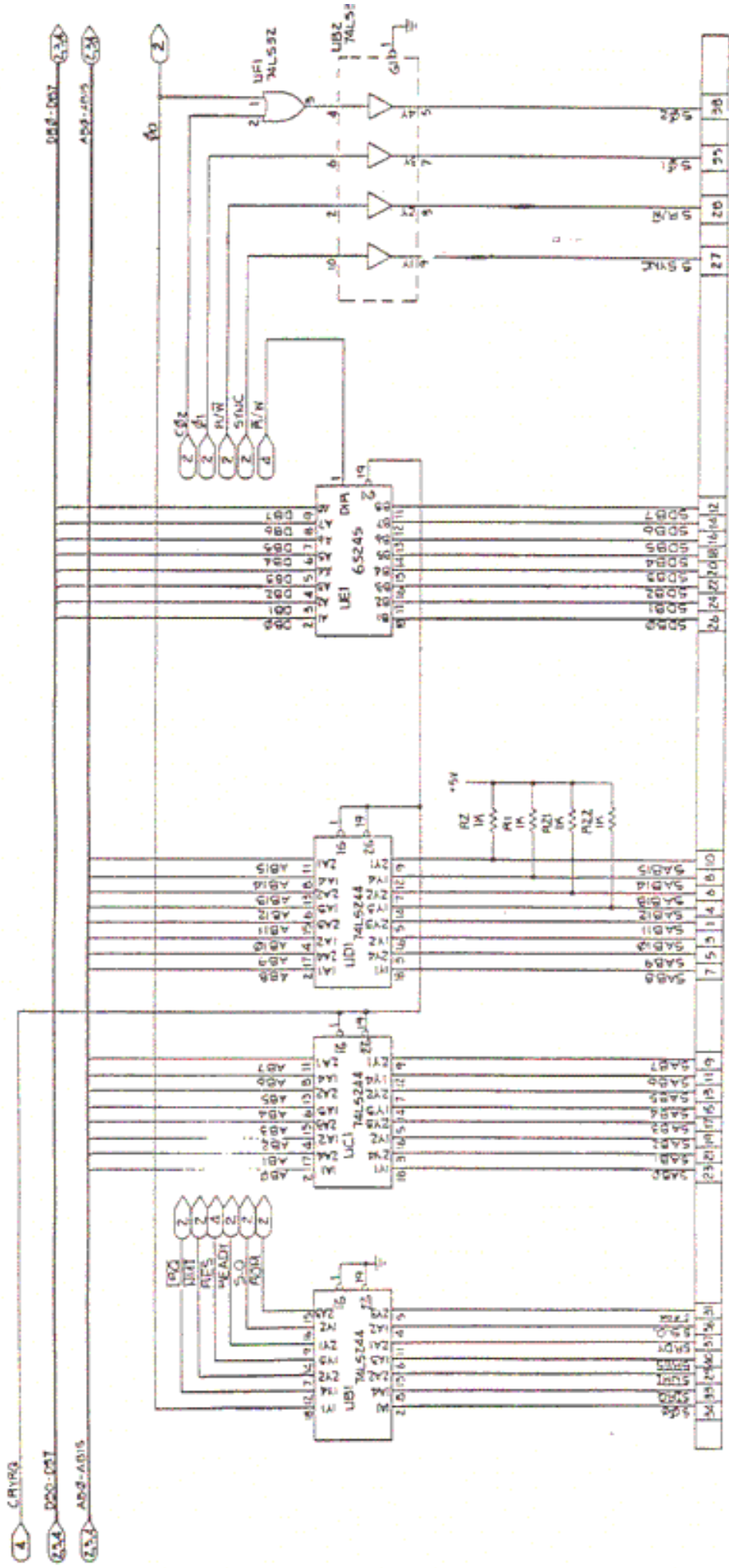
REV 02/04
 SEE SHEET 1



OF SHOWU

DATE	BY	CHKD	REV
02/04
H-ASSY-44 PCB ASSY. PBT 64K MEMOR			
DATE	BY	CHKD	REV
02/04
B032065 Rev 02/04			

REVISIONS	
REV	DESCRIPTION
A	PRODUCTION RELEASE
B	REV PER ECO 2064
C	REV PER ECO 2035
D	REV PER ECO 2137

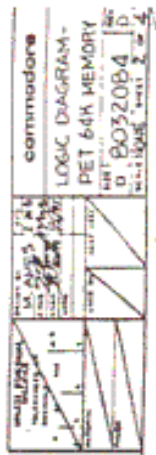
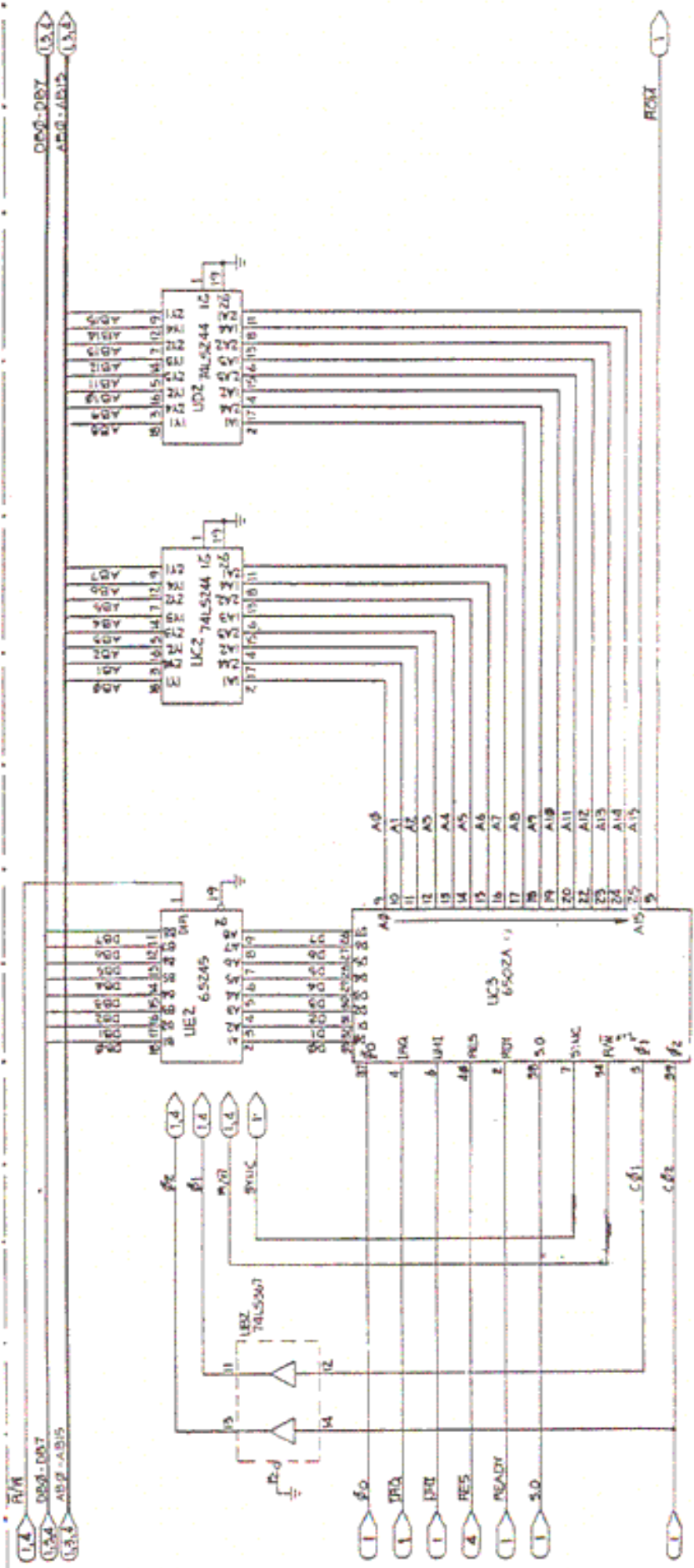
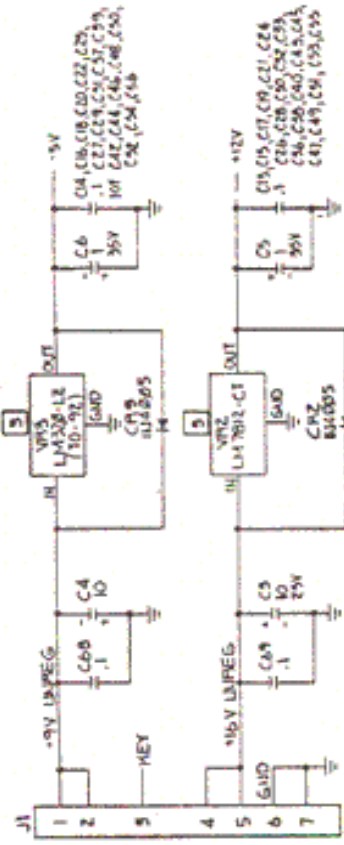
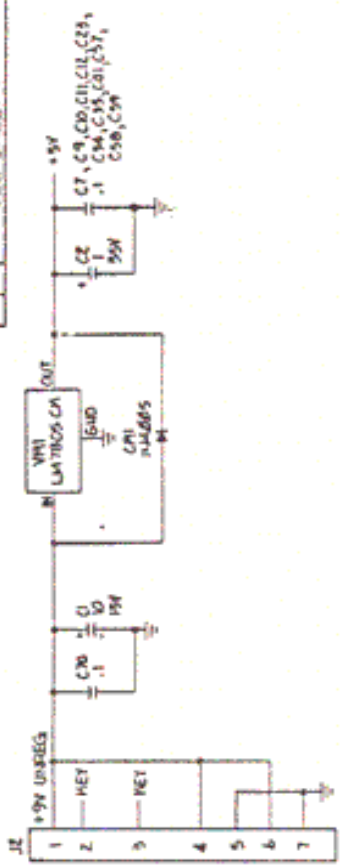


4 C-1150
 2.3.4 D00-D07
 2.3.5 AD0-AD15

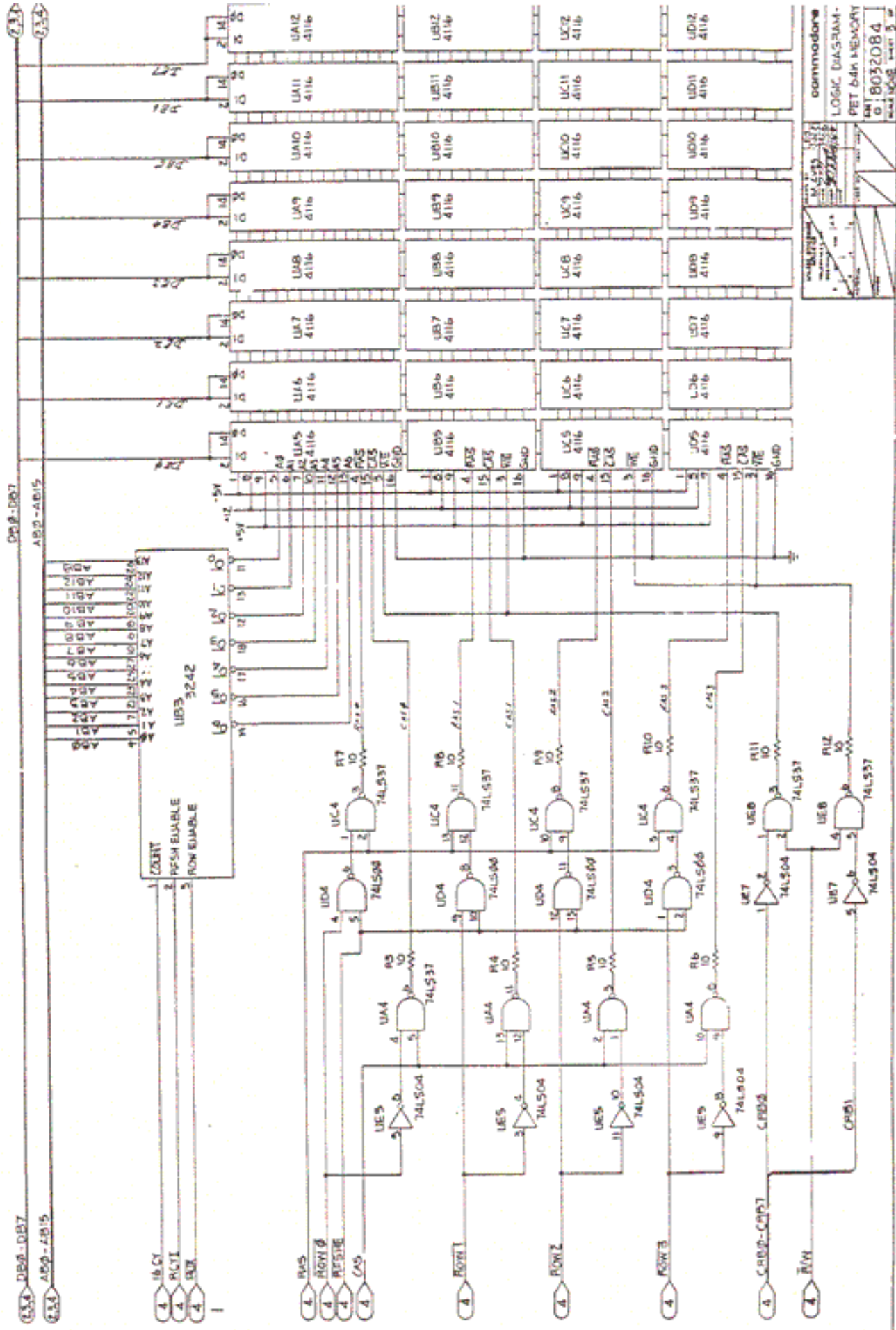
- 3 DO NOT MOUNT FLUSH TO THE BOARD. MOUNT STAGERS UP.
- 2 CAPACITANCE VALUES ARE IN MICROFARADS. 50V.
- 1 RESISTANCE VALUES ARE IN OHMS, 1/4W 1%. NOTES-UNLESS OTHERWISE SPECIFIED:

-OI SHOWN

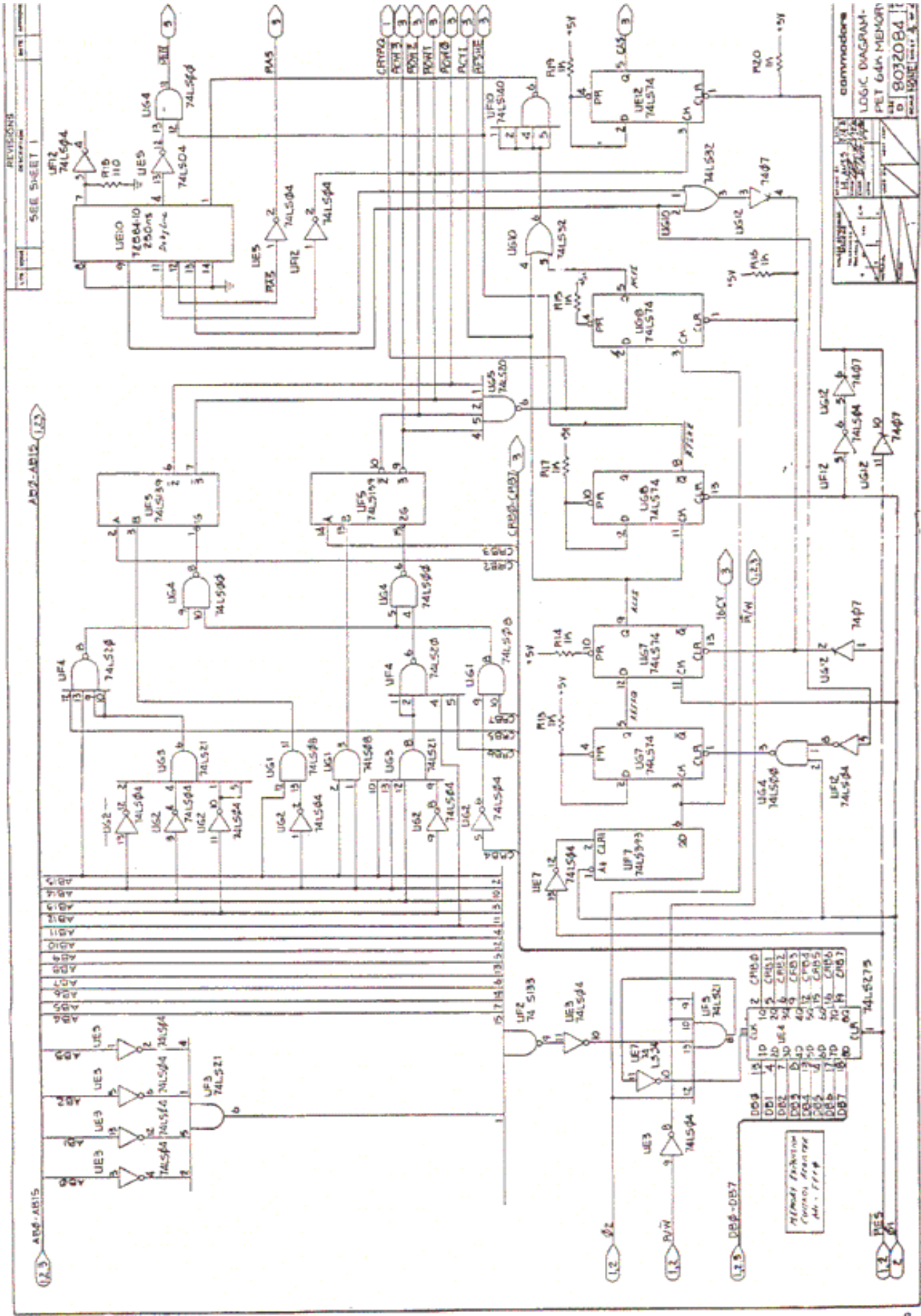
REV	DATE	BY	CHKD	DESCRIPTION
1	10/15/83
2	10/15/83
3	10/15/83
4	10/15/83
5	10/15/83
6	10/15/83
7	10/15/83
8	10/15/83
9	10/15/83
10	10/15/83
11	10/15/83
12	10/15/83
13	10/15/83
14	10/15/83
15	10/15/83
16	10/15/83
17	10/15/83
18	10/15/83
19	10/15/83
20	10/15/83
21	10/15/83
22	10/15/83
23	10/15/83
24	10/15/83
25	10/15/83
26	10/15/83
27	10/15/83
28	10/15/83
29	10/15/83
30	10/15/83
31	10/15/83
32	10/15/83
33	10/15/83
34	10/15/83
35	10/15/83
36	10/15/83
37	10/15/83
38	10/15/83
39	10/15/83
40	10/15/83
41	10/15/83
42	10/15/83
43	10/15/83
44	10/15/83
45	10/15/83
46	10/15/83
47	10/15/83
48	10/15/83
49	10/15/83
50	10/15/83
51	10/15/83
52	10/15/83
53	10/15/83
54	10/15/83
55	10/15/83
56	10/15/83
57	10/15/83
58	10/15/83
59	10/15/83
60	10/15/83
61	10/15/83
62	10/15/83
63	10/15/83
64	10/15/83
65	10/15/83
66	10/15/83
67	10/15/83
68	10/15/83
69	10/15/83
70	10/15/83
71	10/15/83
72	10/15/83
73	10/15/83
74	10/15/83
75	10/15/83
76	10/15/83
77	10/15/83
78	10/15/83
79	10/15/83
80	10/15/83
81	10/15/83
82	10/15/83
83	10/15/83
84	10/15/83
85	10/15/83
86	10/15/83
87	10/15/83
88	10/15/83
89	10/15/83
90	10/15/83
91	10/15/83
92	10/15/83
93	10/15/83
94	10/15/83
95	10/15/83
96	10/15/83
97	10/15/83
98	10/15/83
99	10/15/83
100	10/15/83



commodore
 LOGIC DIAGRAM -
 PET 64K MEMORY
 PART 80320B-4
 REVISED 1978



commodore
LOGIC DIAGRAM
PET 64K MEMORY
PART NO: 8032084
REV: 10/15/83



REVISED BY
DATE

SEE SHEET 1

AR2-AR15 (1,2,3)

AR2-AR15 (1,2,3)

COMMODORE
LOGIC DIAGRAM
PET 64K MEMORY
ID: 8032084

REV	DATE	BY	CHKD
1	08/11/81

REVISIONS

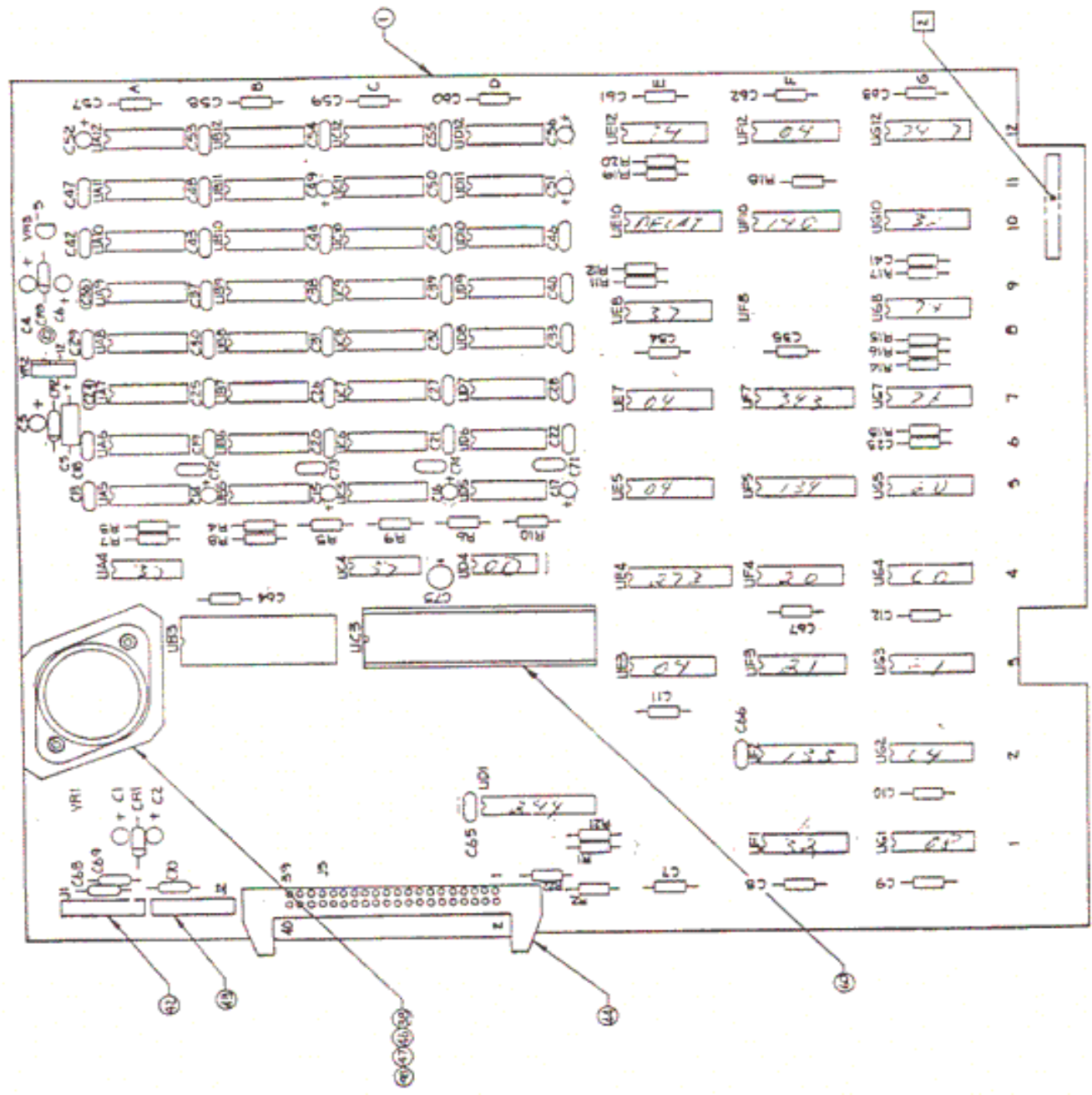
SEE SHEET 1

CHANGE SILKSCREEN TO SHOW ACTUAL CONDITION.

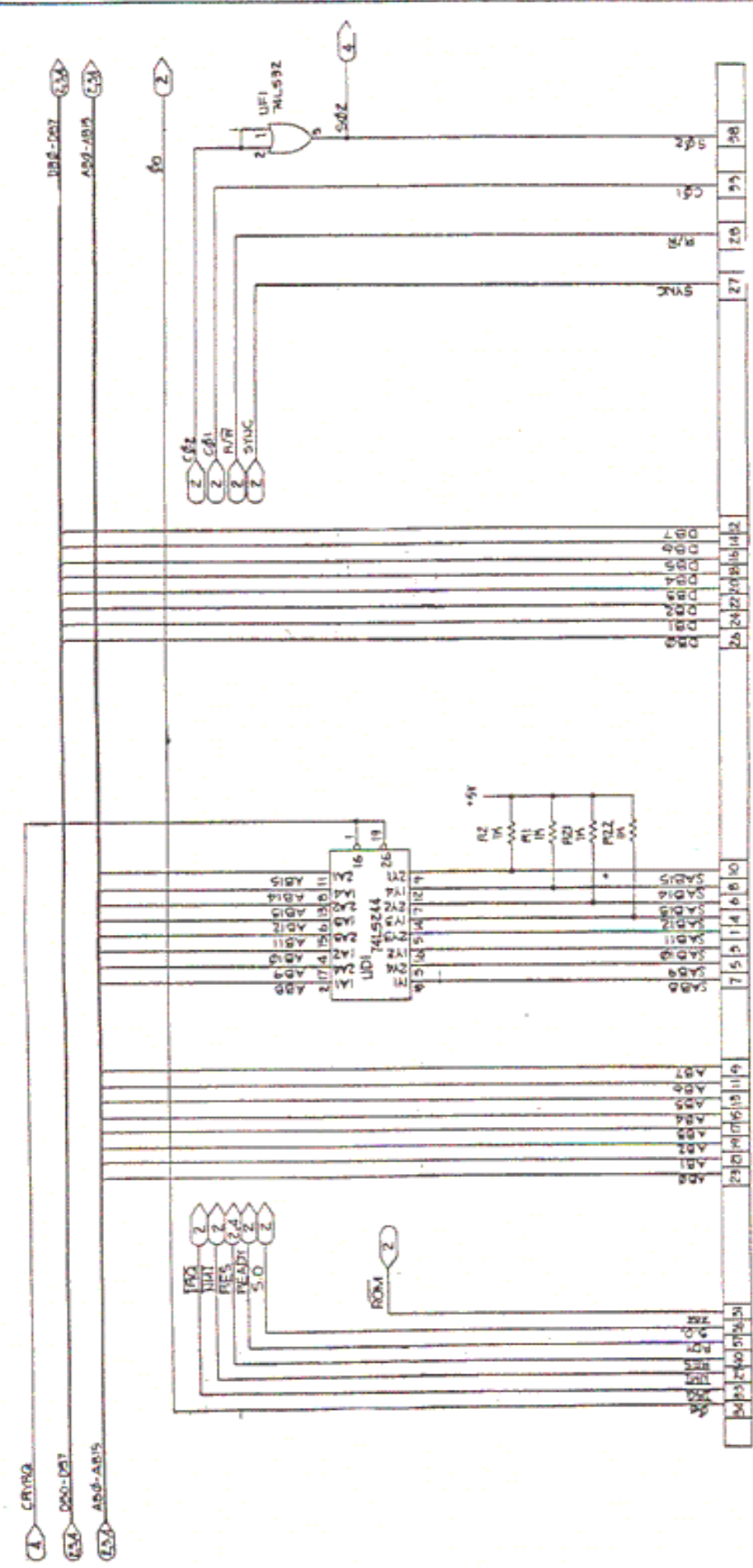
01 SHOWU

DATE	BY	CHKD	COMM
08/11/81
COMMODORE PCB ASSY - PET 64K MEMO			
D: B032110			
REV: 2.1			

www.commodore.ca



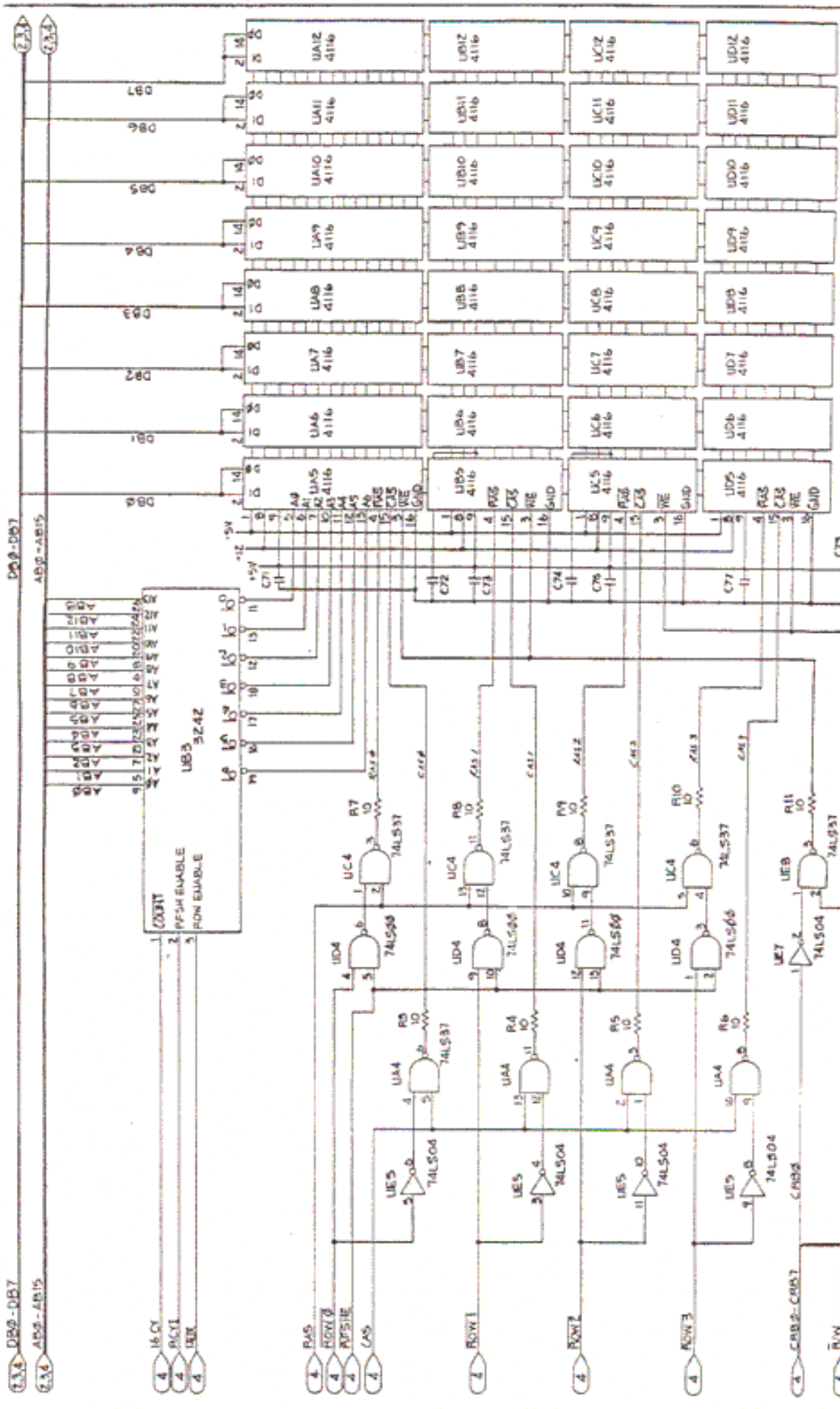
REV	DATE	DESCRIPTION
A	10/1/82	PRODUCTION RELEASE
B	10/1/82	REV PER ECO 2209
C	10/1/82	REV PER ECO 2241
D	10/1/82	REV PER ECO 2575
E	10/1/82	REV PER ECO 2763



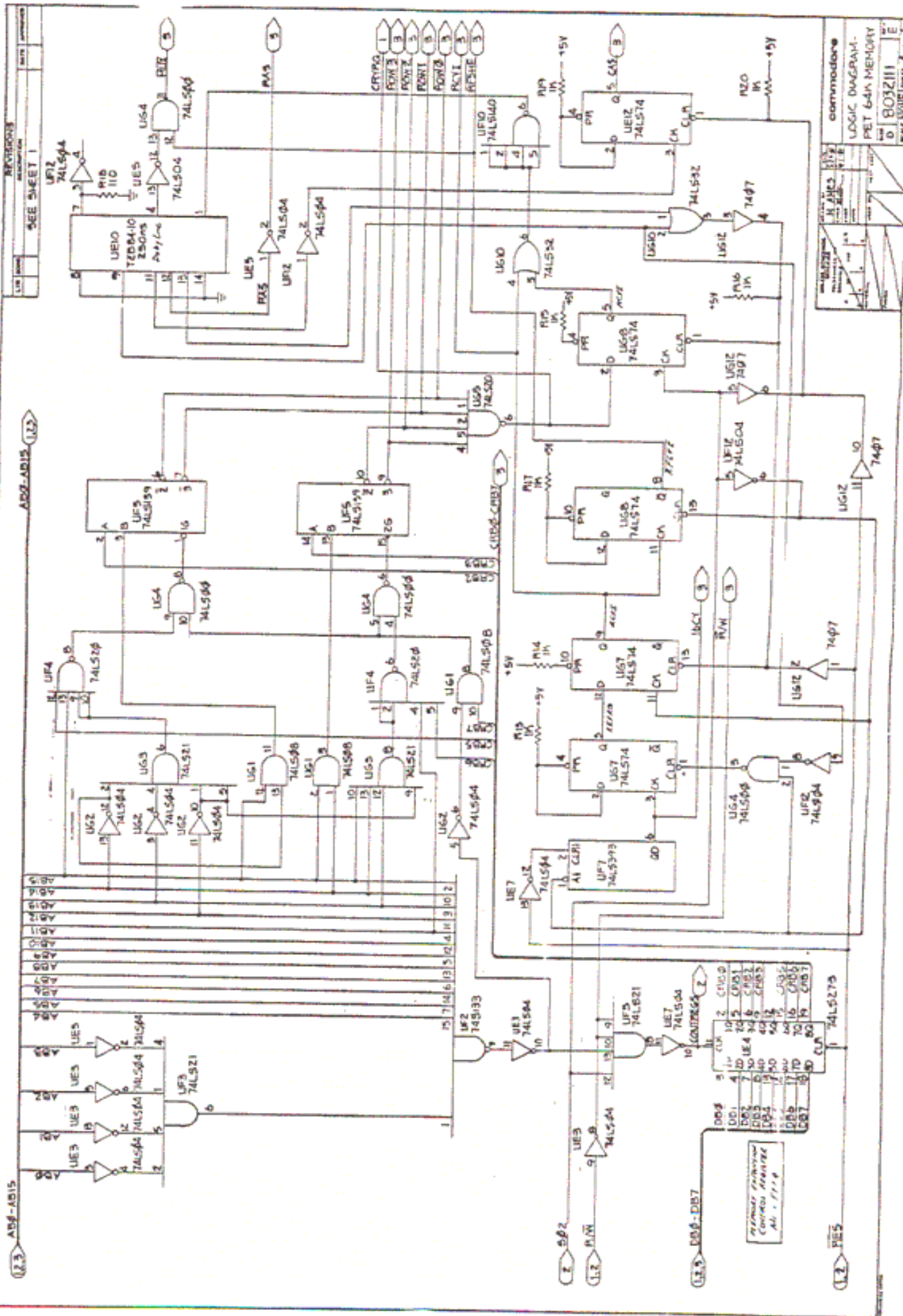
35

REV	DATE	DESCRIPTION
A	10/1/82	PRODUCTION RELEASE
B	10/1/82	REV PER ECO 2209
C	10/1/82	REV PER ECO 2241
D	10/1/82	REV PER ECO 2575
E	10/1/82	REV PER ECO 2763

- 3 DO NOT MOUNT FLUSH TO THE BOARD. MOUNT STANDING UP.
- 2 CAPACITANCE VALUES ARE IN MICROFARADS, SOV.
- 1 RESISTANCE VALUES ARE IN OHMS, 1/4W 1%. NOTES--UNLESS OTHERWISE SPECIFIED:



commodore
LOGIC DIAGRAM -
PET 64K MEMORY
D 18032111
REV 3 of 4



SEE SHEET 1

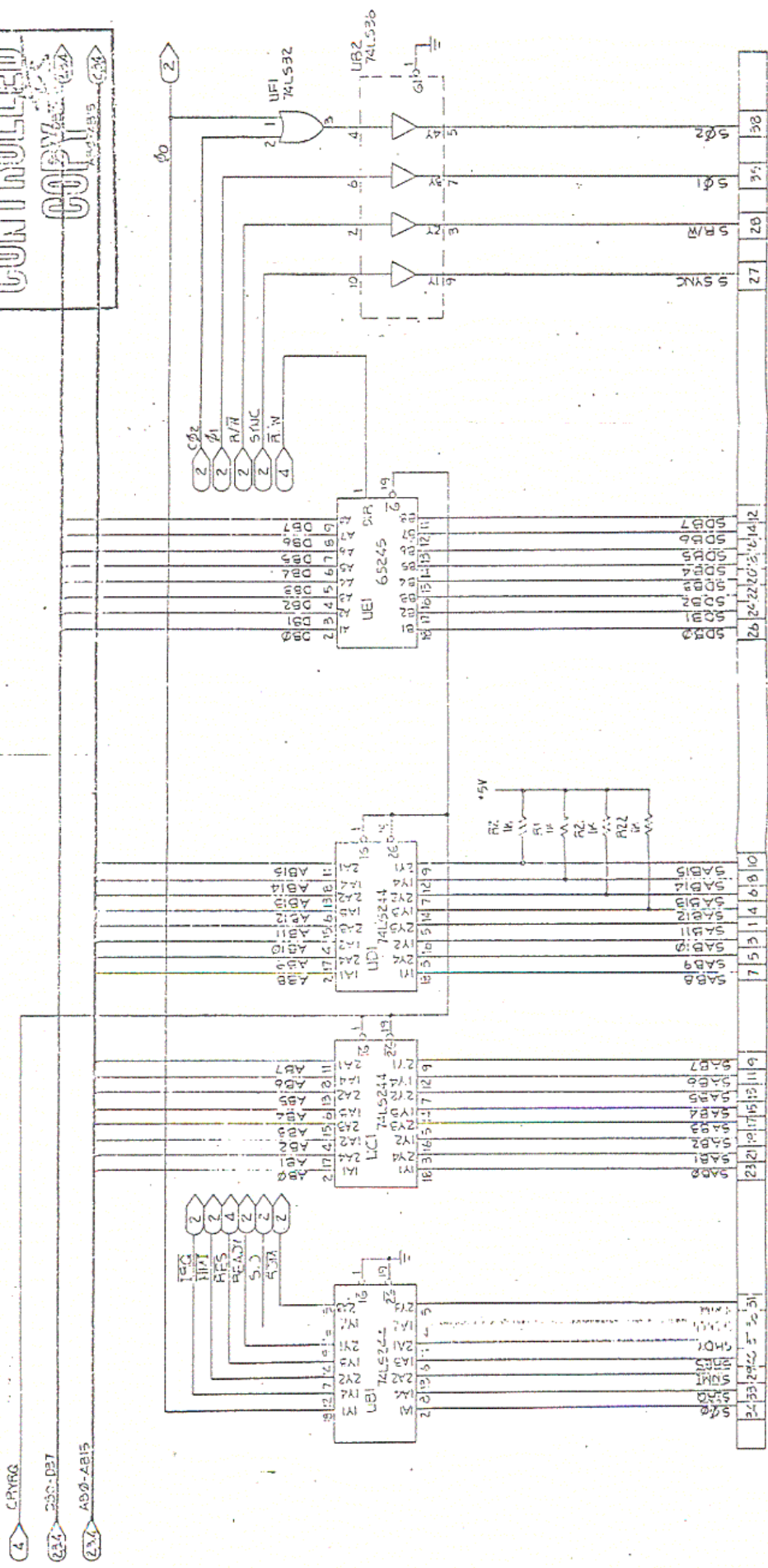
AB15-AB15 (12)

AB15-AB15

commodore
 LOGIC DIAGRAM -
 PET 64K MEMORY
 REV 0 8032111 E
 BOARD ISSUE (REV) 3 of 4

REV	DATE	BY
A		
B		
C		
D		

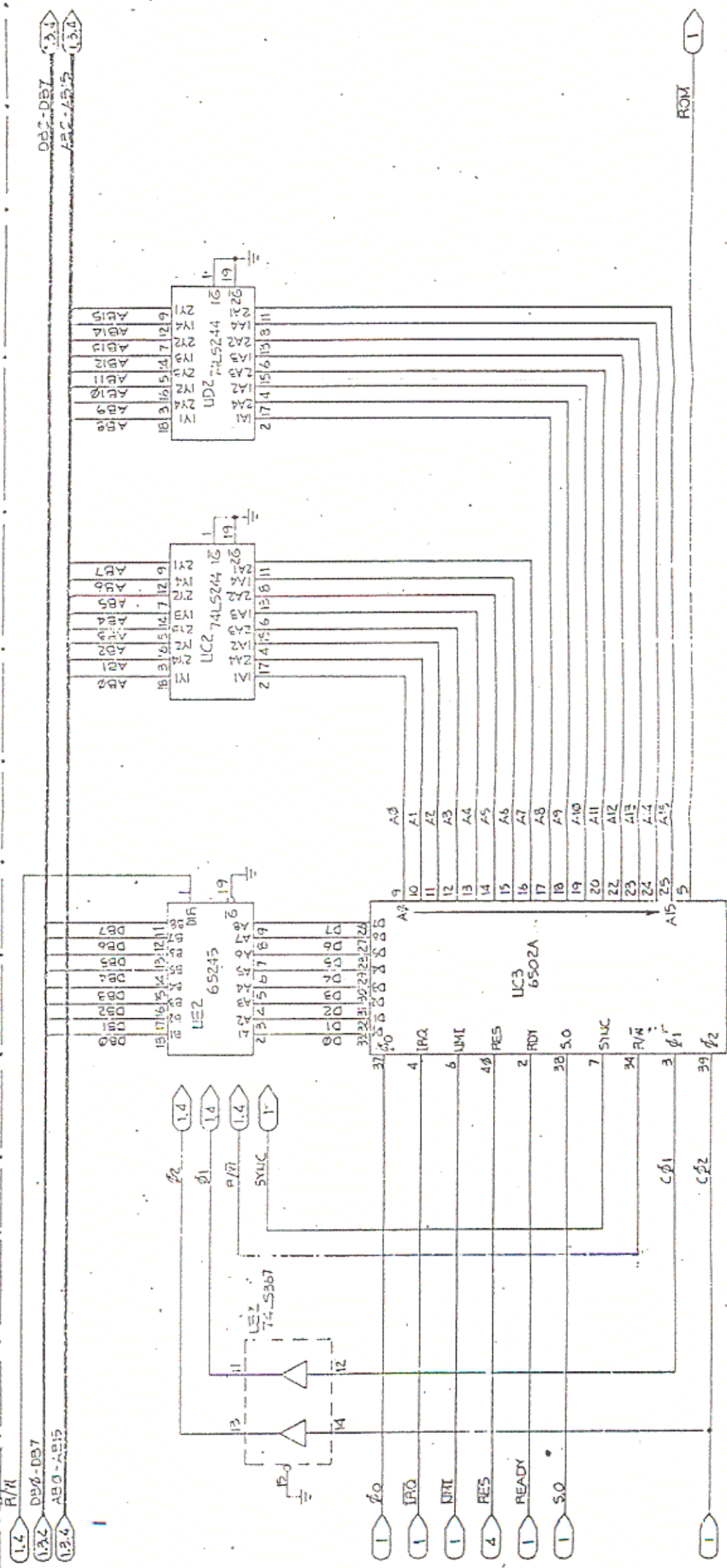
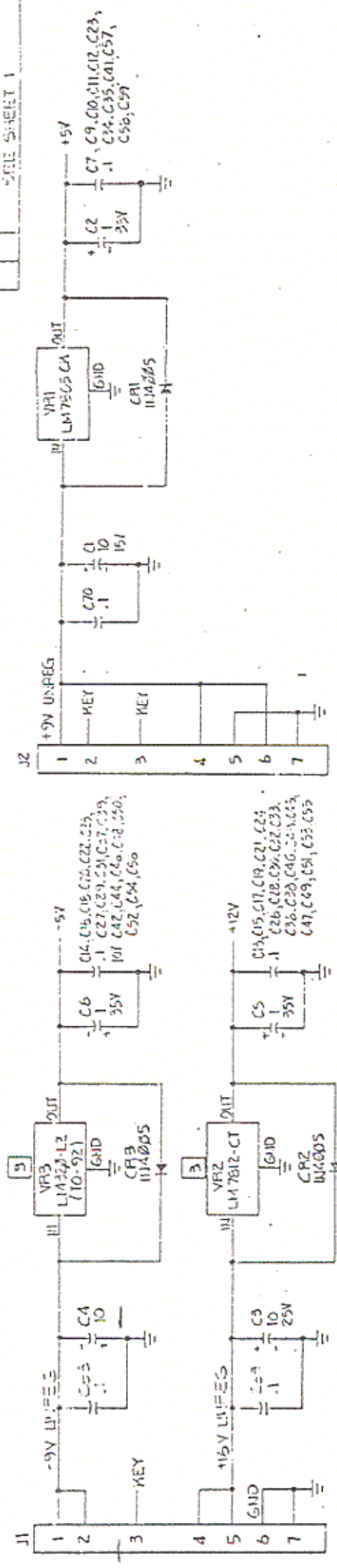
CONTROLLED COPY



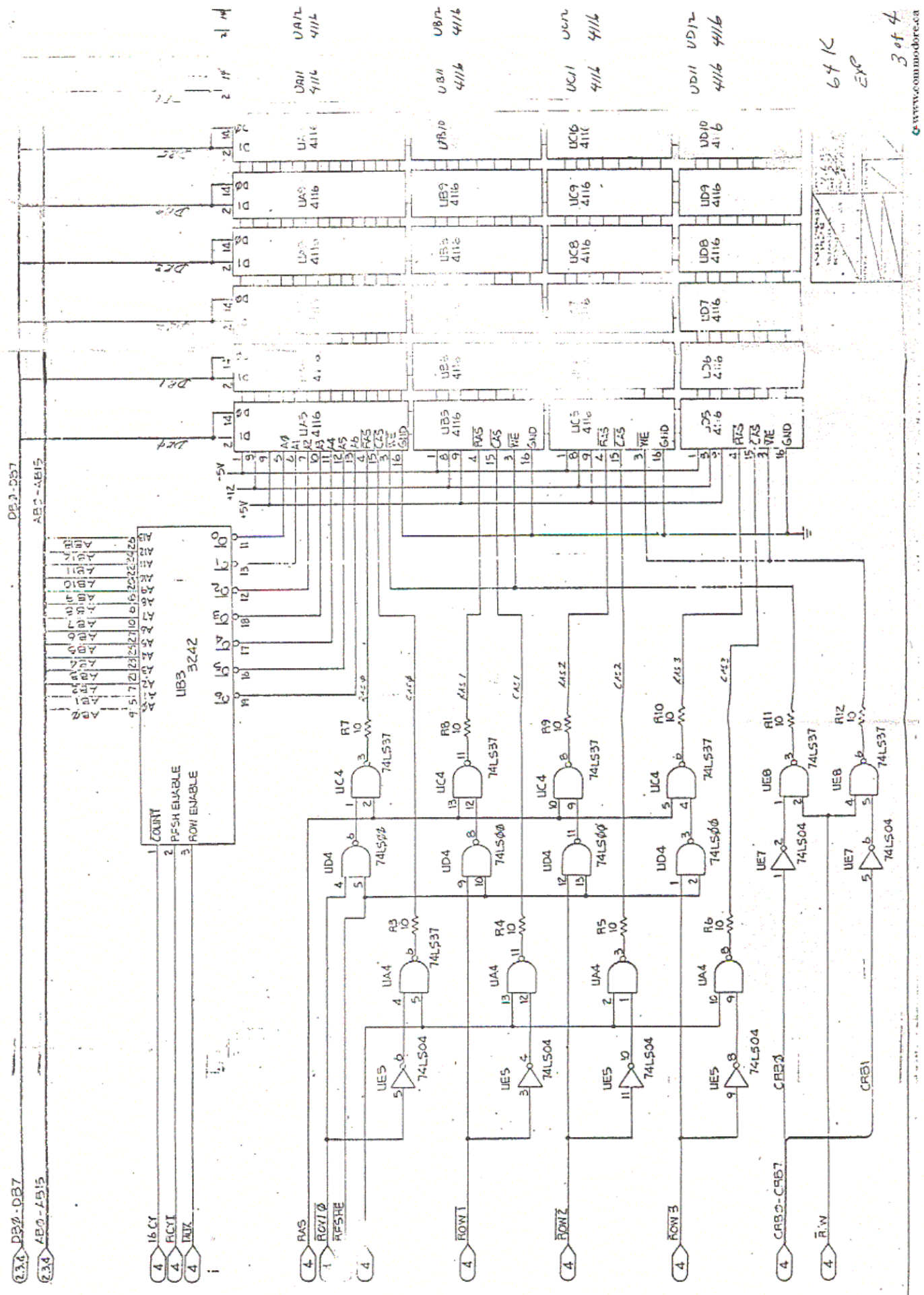
-CI SHOWN

commodore	LOGIC DIAGRAM
PET 64A MEM OF	
PET 9921085	
64K	
PET 8032C24	
www.commodore.ca	

1. DO NOT MOUNT FLUSH TO THE BOARD. MOUNT STANDING UP.
 2. CAPACITANCE VALUES ARE IN MICRO-PADS. 50V.
 3. RESISTANCE VALUES ARE IN OHMS. 1% 1/4W.
- NOTES - UNLESS OTHERWISE SPECIFIED:



COMMODORE
 LOGIC DIAGRAM
 PET 66A MEMORY
 P. 8032026
 0001020E



2.34 DB30-DB7

2.34 AB0-AB15

4 RAS

4 ROW 0

4 ROW 1

4 ROW 2

4 ROW 3

4 CAS0-CAS7

4 R.W

4 RAS

4 CAS

4 WE

4 GND

4 RAS

4 CAS

4 WE

4 GND

4 RAS

4 CAS

4 WE

4 GND

4 RAS

4 CAS

4 WE

4 GND

4 RAS

4 CAS

4 WE

4 GND

4 RAS

4 CAS

4 WE

4 GND

4 RAS

4 CAS

4 WE

4 GND

4 RAS

4 CAS

4 WE

4 GND

64 K
EXP

