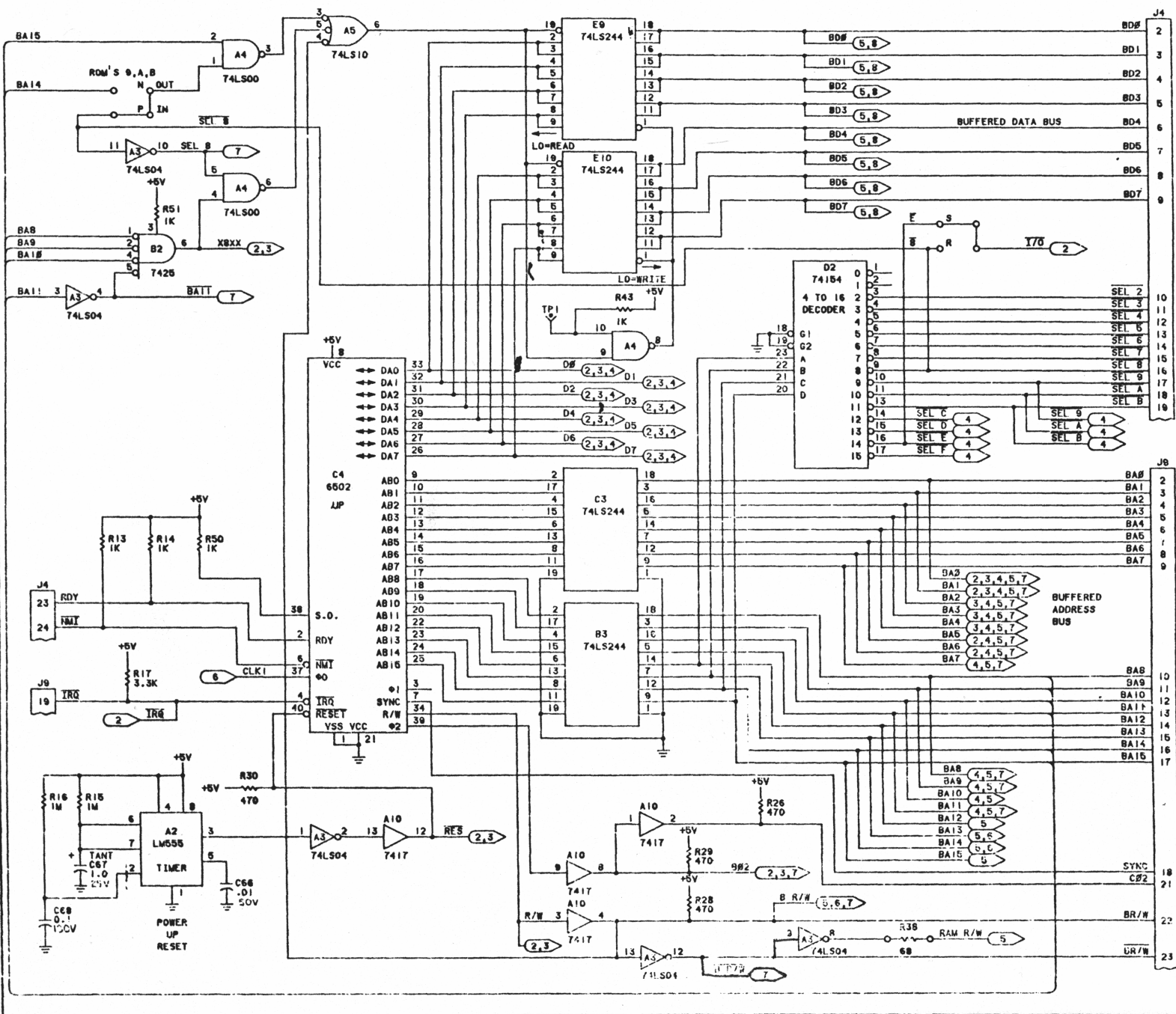
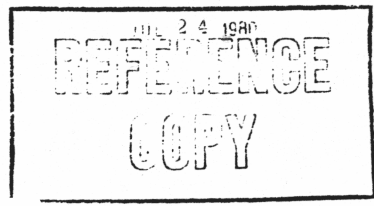


4032
CBM 3032

REVISIONS				
LTR	ZONE	DESCRIPTION	DATE	APPROVED
A		PRODUCTION RELEASE PER ECO 975	5/17/79	[Signature]
B		REVISED PER ECO 1197D	9/2/79	[Signature]
C		REVISED PER ECO 1162	9/12/79	[Signature]
D		REV PER ECO 1479	1-12-80	[Signature]
E		REV PER ECO 1769	2/27/80	[Signature]



MEMORY EXPANSION

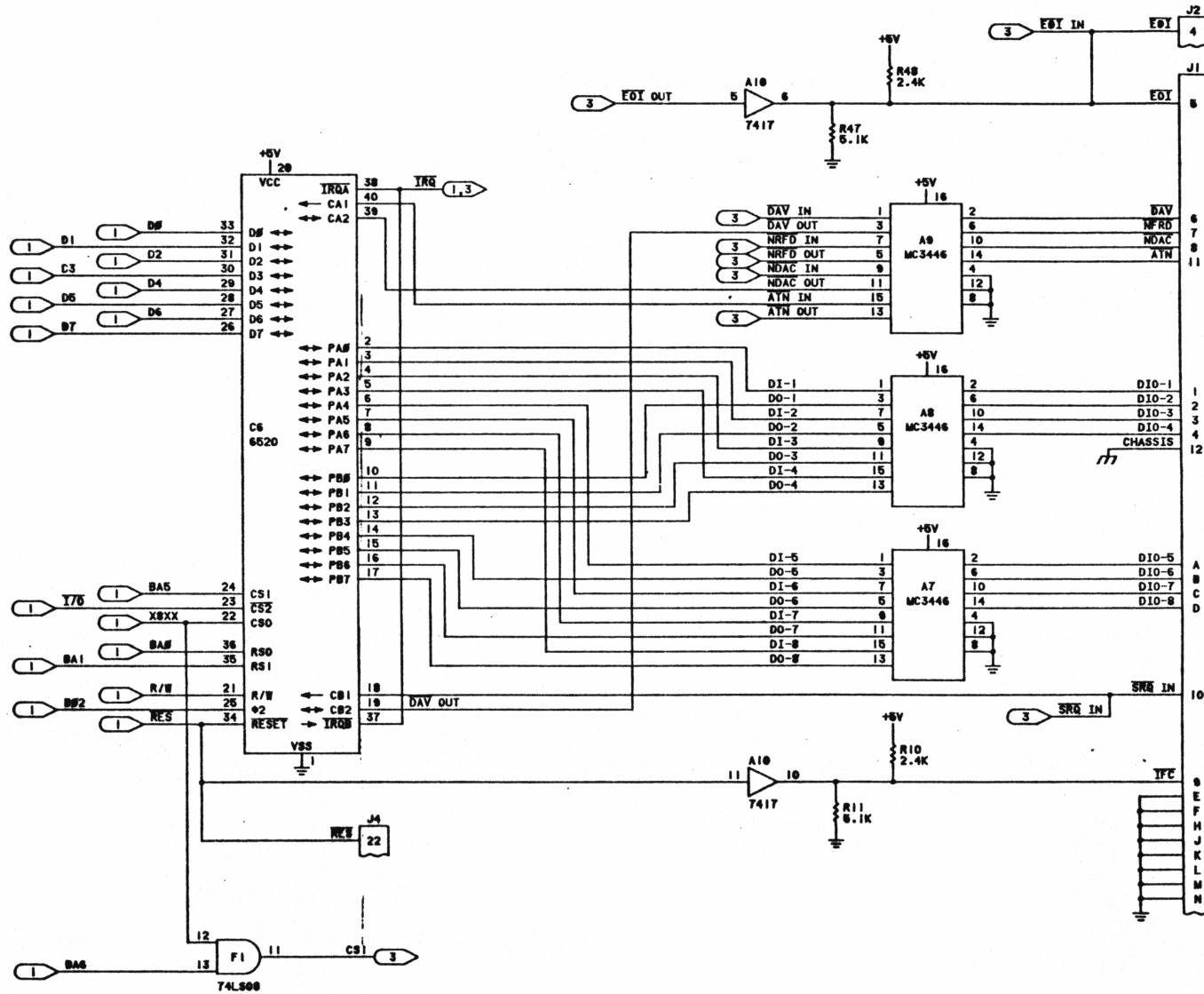


MEMORY EXPANSION

LOGIC DIAGRAM DYNAMIC PET UP-MEMORY EXPANSION	
32035H	320349

REVISIONS			
LTR	DATE	DESCRIPTION	APPROVED
		SEE SHEET 1	

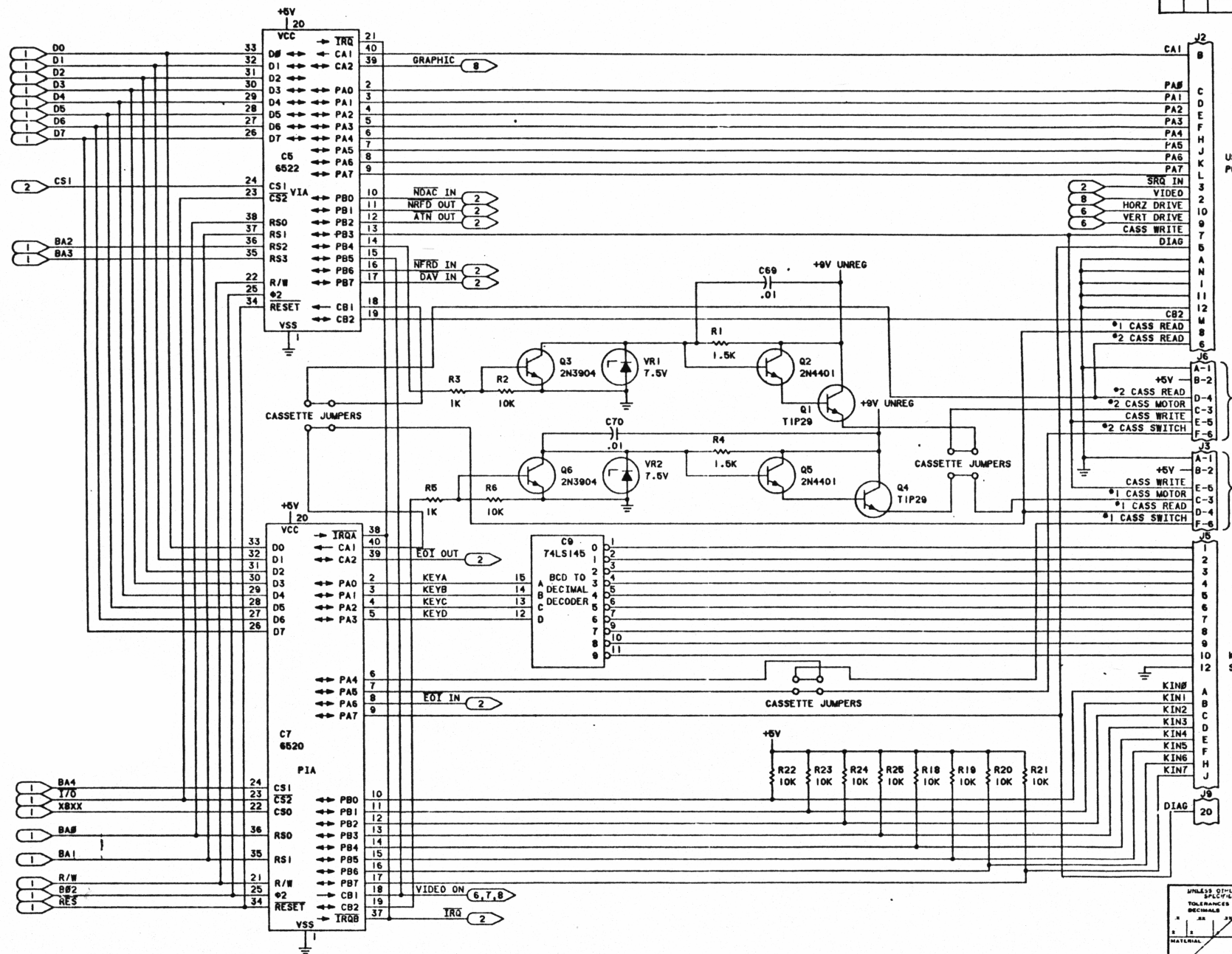
2 4 1980
REFERENCE COPY



IEEE-488
 INTERFACE

UNLESS OTHERWISE SPECIFIED DIMENSIONS ON DECIMALS A B C D E F G H I J K L M N	DRAWN BY: _____ CHECKED BY: _____ ENGINEER: _____ APPROVED BY: _____	DATE: _____ SCALE: _____
	USED ON: _____ NEXT ASSY: _____	
MATERIAL: _____ FINISH: _____		commodore LOGIC DIAGRAM DYNAMIC PET IEEE-488 INTERFACE SIZE D 320349 SCALE SHEET 2 OF 9

REVISIONS				
LTR	ZONE	DESCRIPTION	DATE	APPROVED
		SEE SHEET 1		



24 1981
REFERENCE COPY

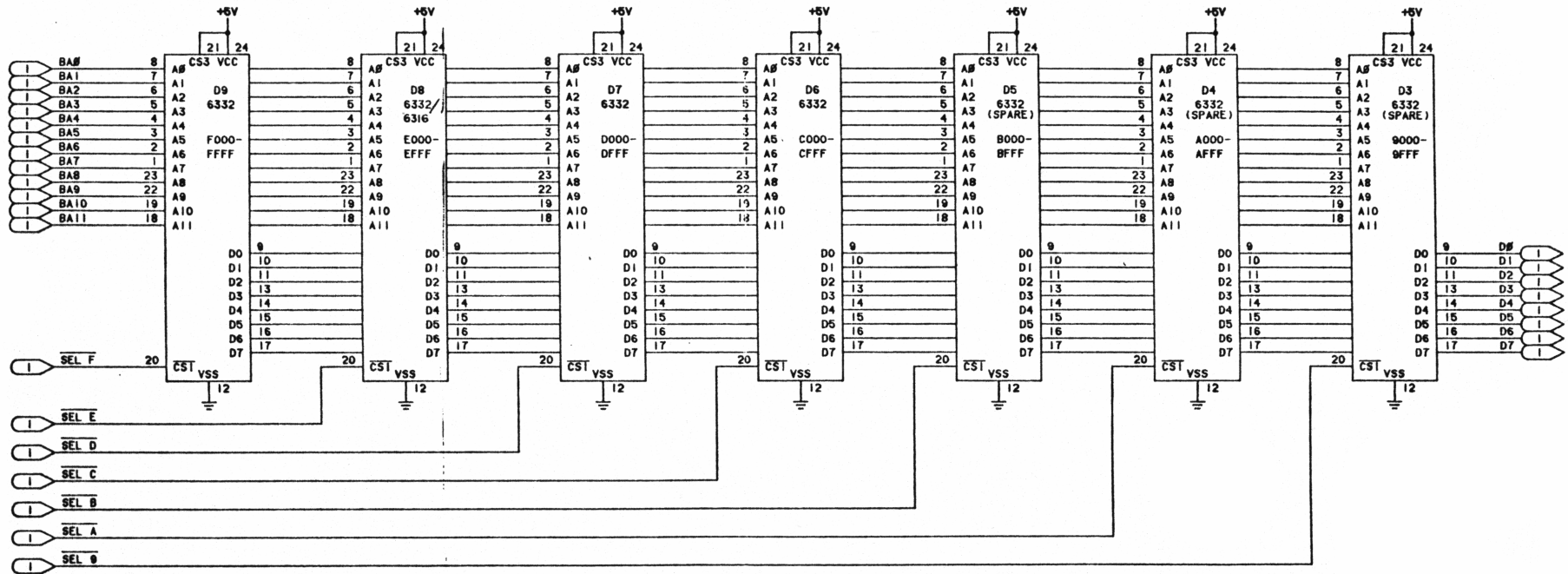
*2 CASS
 *1 CASS

UNLESS OTHERWISE SPECIFIED TOLERANCES ON DECIMALS		DRAWN BY	DATE
1	XX	ENGR	
2	XX	APPV	
MATERIAL		USED ON	NEXT ASSY
FINISH			

commodore
 LOGIC DIAGRAM
 DYNAMIC PET
 CASSETTE & KEYBOARD
 RISE D 320349
 SCALE SHEET 3 OF 3

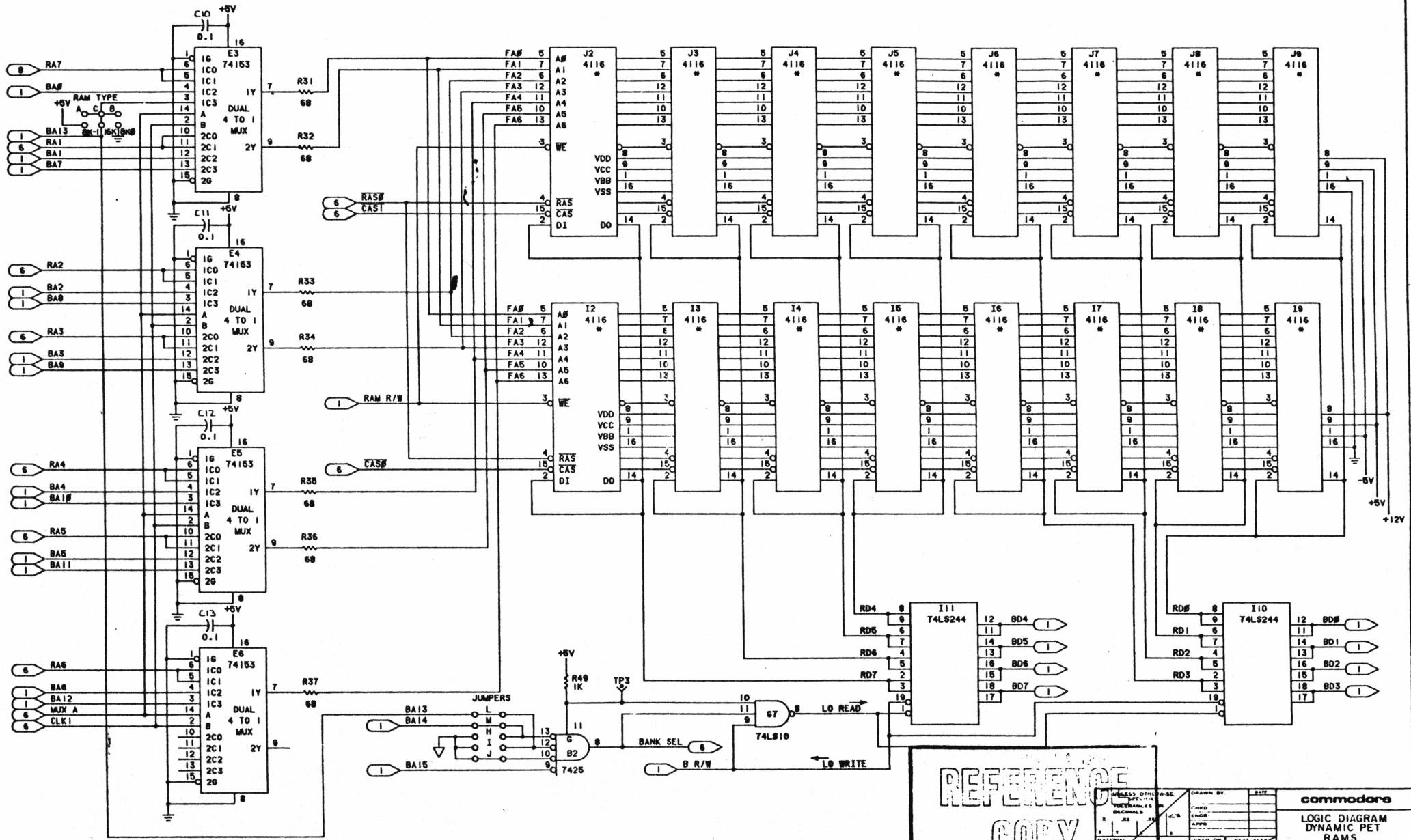
REVISIONS			
LTR	ZONE	DESCRIPTION	DATE APPROVED
		SEE SHEET 1	

24 1980
REFERENCE COPY



MULTIPLE DIMENSIONAL SPECIFICATIONS		DRAWN BY		DATE	
TOLERANCES ON DIMENSIONS		CHECKED			
		APPROVED			
MATERIAL		USED ON		NEXT ASSEMBLY	
commodore					
LOGIC DIAGRAM					
DYNAMIC PET					
ROMS					
SIZE		320349		BY E	
SCALE		SHEET 4		OF 9	

LTR		ZONE	REVISIONS	DATE	APPROVED
			DESCRIPTION		
			SEE SHEET 1		



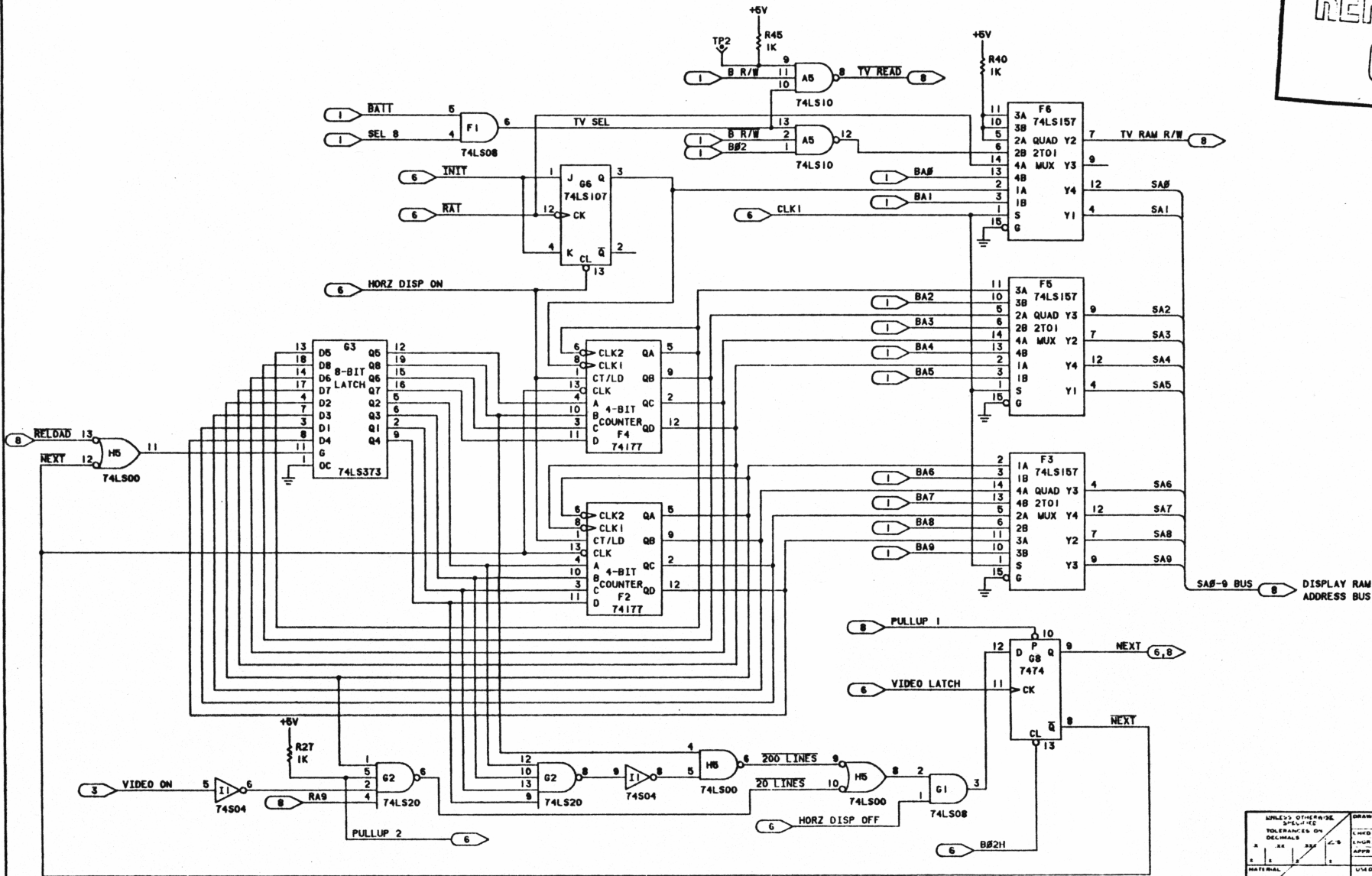
NOTE: ALL CIRCUITS MARKED * ARE FOR 32K MACHINE ONLY

REFERENCE COPY

DESIGNED BY	DATE	DRAWN BY	DATE
CHECKED		ENGR	
APPROVED		APPR	
MATERIAL		USED ON	NEXT ASSY
commodore LOGIC DIAGRAM DYNAMIC PET RAMS SIZE D 320349 SCALE SHEET 5 OF 5			

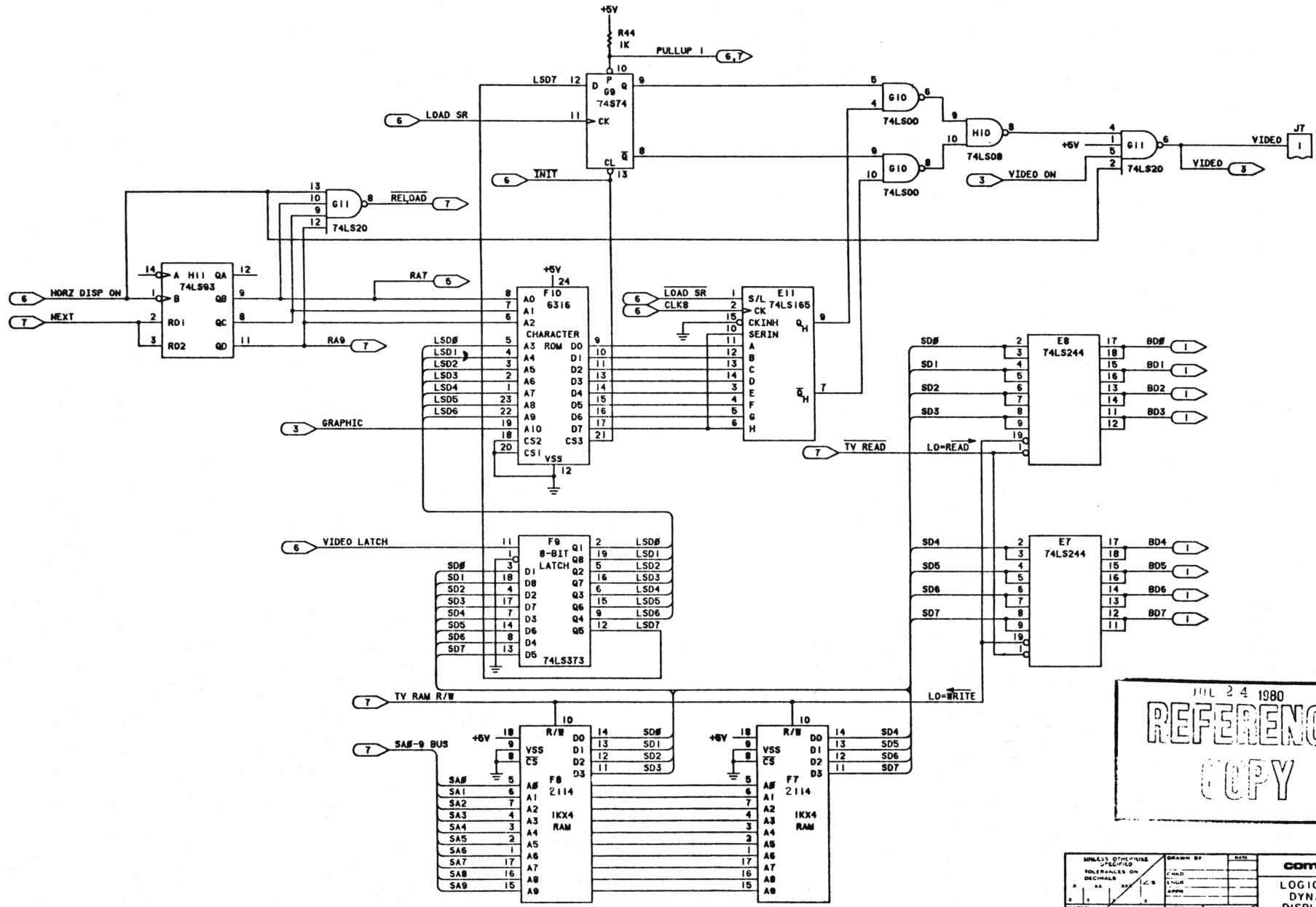
REVISIONS			
LTR	ZONE	DESCRIPTION	DATE APPROVED
		SEE SHEET 1	

REV 2 4 1980
REFERENCE COPY



UNLESS OTHERWISE SPECIFIED, TOLERANCES ON DECIMALS ARE:	DRAWN BY	DATE	commodore
1/100	CHKD		
	ENGR		LOGIC DIAGRAM
	APPR		DYNAMIC PET
			DISPLAY LOGIC
MATERIAL	USED ON	NEXT ASSY	SIZE D 320349
FIGURE			SCALE 1/8" = 1" SHEET 7 OF 9

REVISIONS			
LTR	ZONE	DESCRIPTION	DATE APPROVED
		SEE SHEET 1	

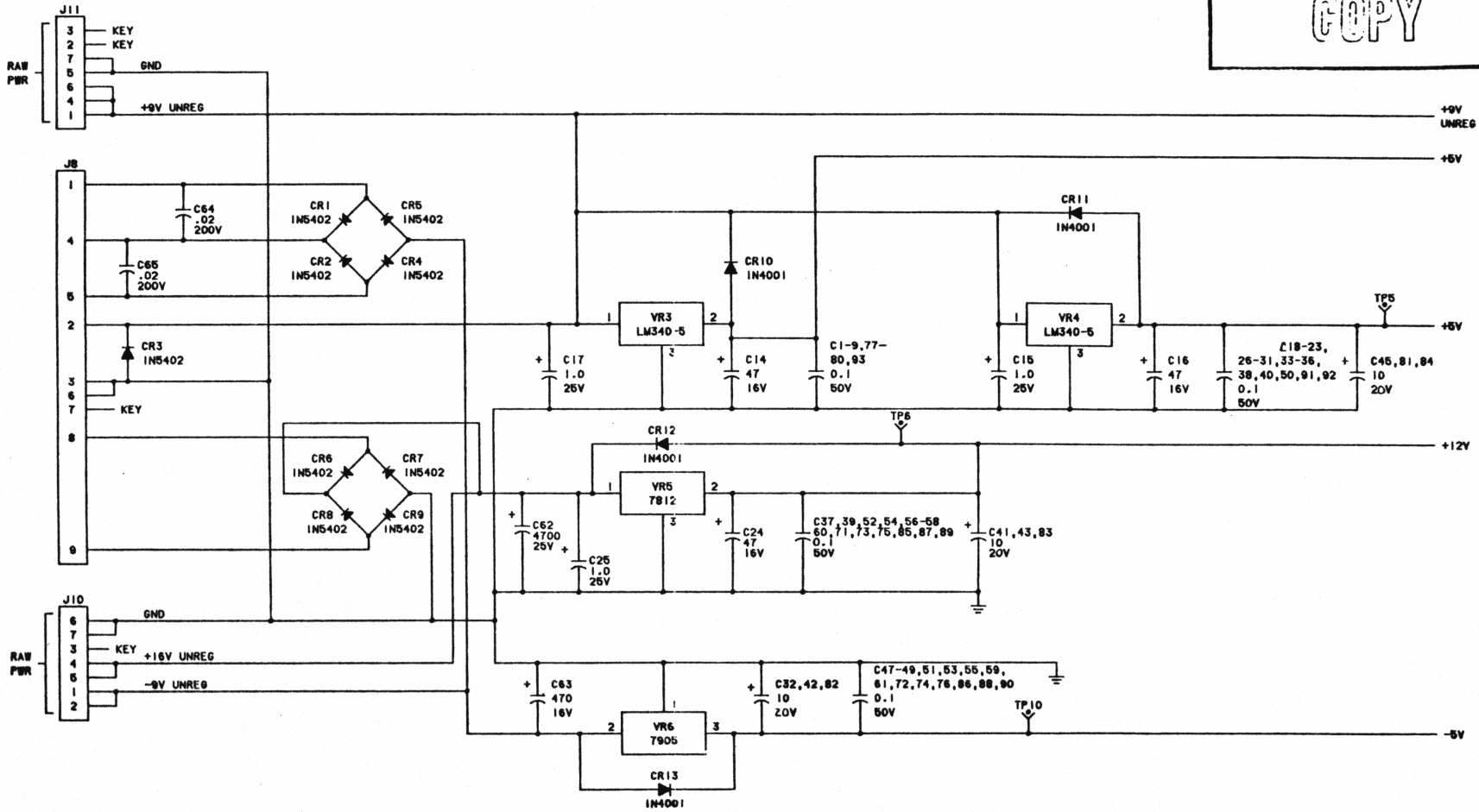


JUL 24 1980
REFERENCE COPY

ANNE'S OTHERS CHECKED TOLERANCES ON DECIMALS INCH APPR MATERIAL FINISH	DRAWN BY DATE USED ON NEXT APPR	commodore LOGIC DIAGRAM DYNAMIC PET DISPLAY RAMS SIZE D 320349 SCALE 1 SHEET B OF 5
---	--	---

REVISIONS			
LTR	ZONE	DESCRIPTION	DATE
		SEE SHEET 1	

JUL 24 1980
REFERENCE COPY



UNLESS OTHERWISE SPECIFIED TOLERANCES ON DECIMALS .5 .1 .05 .02 .01 .1 .05 .02 .01 .1 .05 .02 .01	DRAWN BY CHECKED APPROVED	DATE DESIGNED BY DATE
	MATERIAL USED ON NEXT ASSY	commodore LOGIC DIAGRAM DYNAMIC PET VOLTAGE REGULATOR 320349 SCALE 1:1



This was brought to you

from the archives of

<http://retro-commadore.eu>